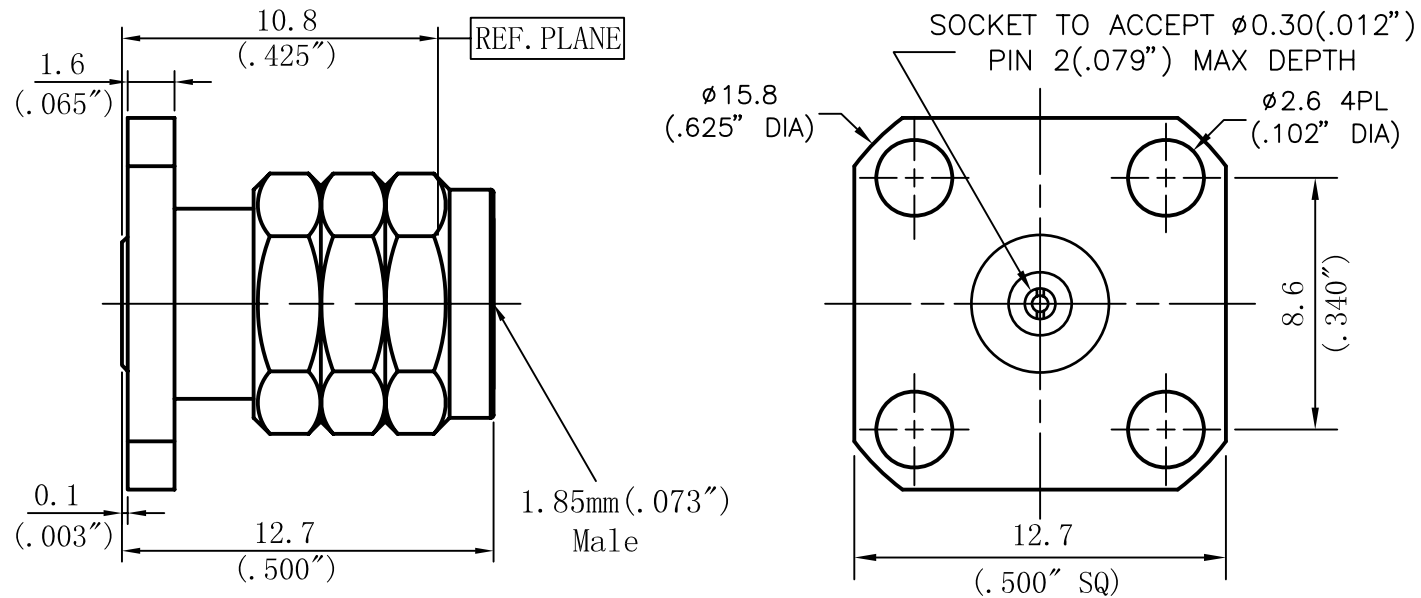


1 2 3 4 5 6

A

A



B

B

C

C

**Performance Features:**

Nominal Impedance: 50Ω  
 Frequency Range: DC-65GHz  
 VSWR: DC-65GHz... 1.25:1 (Max)

**Materials/Finishes:**

Housing: SU303F  
 Passivated  
 Center Contact: Beryllium Copper  
 Gold Plated  
 Insulators: PEI

**M** MicrowaveTown Company, LLC  
 1283 E. Route 66 Ave.  
 Glendora, CA 91741  
 Tel: (626)241-9635  
 Fax: (626)698-1638  
 www.microwavetown.com

DIRECTION OF VIEW  
  
 UNIT  
 mm

TITLE  
**1.85mm Connector**

PROPRIETARY INFORMATION: THE INFORMATION IN THIS DRAWING IS PROPRIETARY AND SHALL NOT BE USED OR DISCLOSED WITHOUT PRIOR WRITTEN PERMISSION FROM MICROWAVETOWN

DRAWN: Xin Gong  
 CHECKED: Haimin Zhang  
 APPR.: Gang Cao

DWG NO.  
**D381S12F01**

UNLESS OTHERWISE SPECIFIED:  
 1. REMOVE ALL BURRS, BREAK ALL CORNERS, SHARP EDGES 0.05 R MAX  
 2. LINEARITY TOLERANCES: ±0.1; ANGLE TOLERANCES: ±1°  
 3. DIAMETERS ON COMMON CENTERS TO BE CONCENTRIC WITHIN 0.1  
 4. ALL DIMENSIONS ARE AFTER PLATING, SURFACE FINISHED ✓

**OUTLINE DRAWING**

LTR	DESCRIPTION	DATE	APPR.	DO NOT SCALE DRAWING	SIZE A4_h	SCALE 4:1	REV. V2.0	SHEET 1/1
-----	-------------	------	-------	----------------------	-----------	-----------	-----------	-----------

1 2 5 6