

1 2 3 4 5 6

A

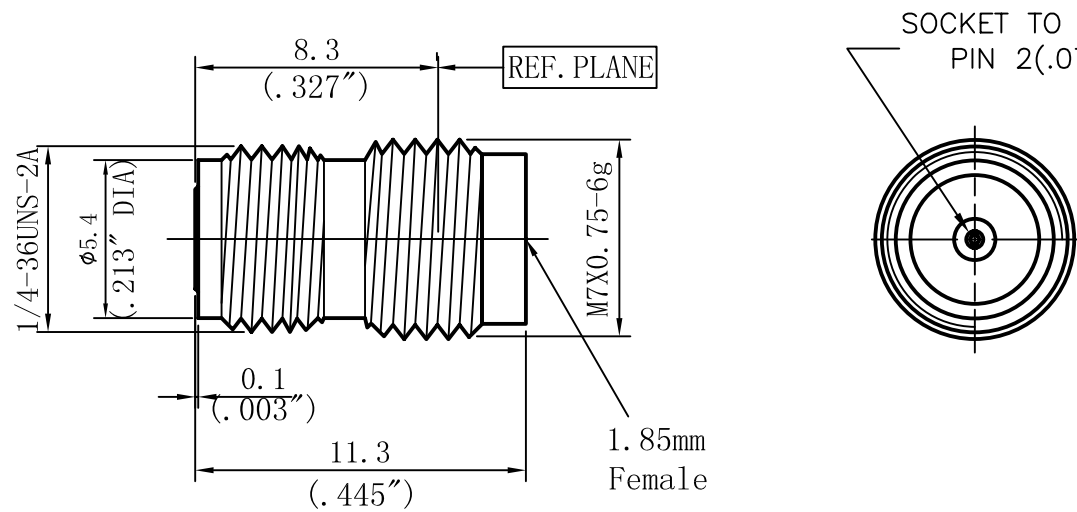
A

B

B

C

C


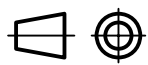


**Performance Features:**

Nominal Impedance: 50Ω  
 Frequency Range: DC-65GHz  
 VSWR: DC-65GHz... 1.25:1 (Max)

**Materials/Finishes:**

Housing: SU303F  
 Passivated  
 Center Contact: Beryllium Copper  
 Gold Plated  
 Insulators: PEI

 MicrowaveTown Company, LLC 1283 E. Route 66 Ave. Glendora, CA 91741 Tel: (626)241-9635 Fax: (626)698-1638 www.microwavetown.com	DIRECTION OF VIEW		UNIT	TITLE
			mm	1.85mm Connector
PROPRIETARY INFORMATION: THE INFORMATION IN THIS DRAWING IS PROPRIETARY AND SHALL NOT BE USED OR DISCLOSED WITHOUT PRIOR WRITTEN PERMISSION FROM MICROWAVETOWN		DRAWN	Shaoqing Du	DWG NO.
		CHECKED	Haimin Zhang	D380S09Y01
		APPR.	Gang Cao	OUTLINE DRAWING
		UNLESS OTHERWISE SPECIFIED: 1. REMOVE ALL BURRS, BREAK ALL CORNERS, SHARP EDGES 0.05 R MAX 2. LINEARITY TOLERANCES ±0.1; ANGLE TOLERANCES ±1° 3. DIAMETERS ON COMMON CENTERS TO BE CONCENTRIC WITHIN 0.1 4. ALL DIMENSIONS ARE AFTER PLATING, SURFACE FINISHED ✓		
LTR	DESCRIPTION	DATE	APPR.	DO NOT SCALE DRAWING
				SIZE A4_h
				SCALE 1:1
				REV. V2.0
				SHEET 1/1

1 2 5 6