

1 2 3 4 5 6

A

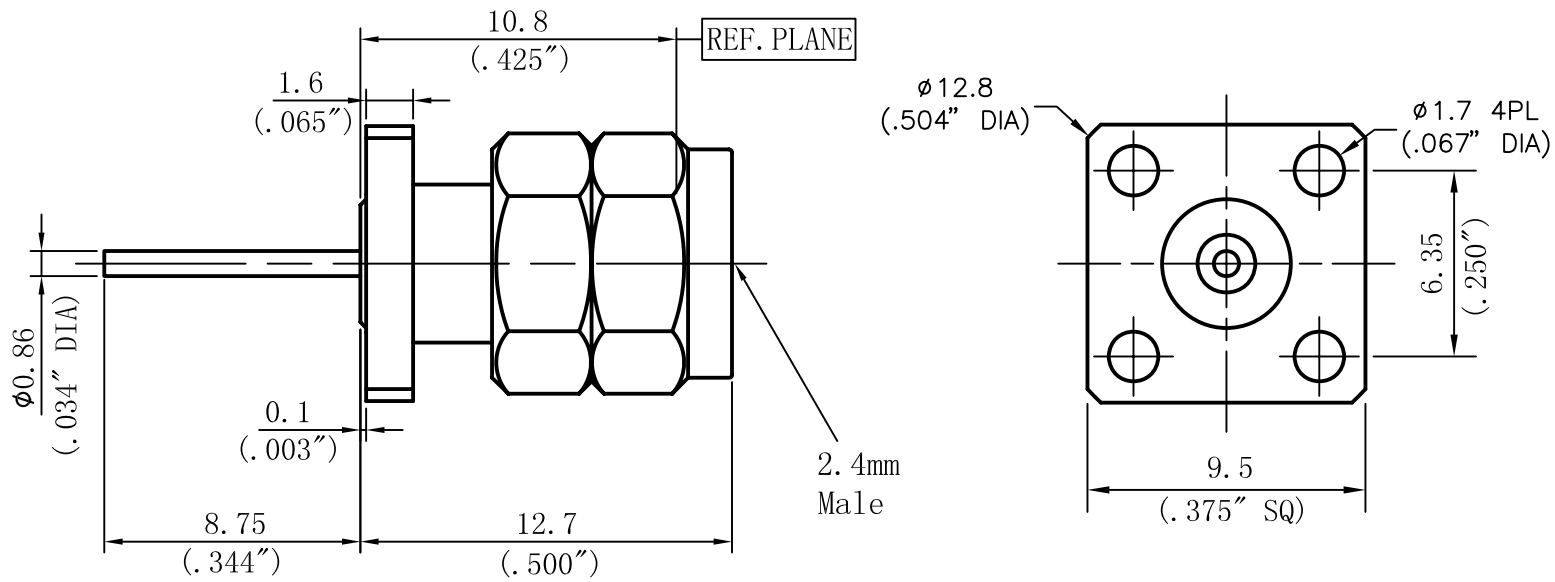
A

B

B

C

C



Performance Features:

Nominal Impedance: 50Ω
Frequency Range: DC-50GHz

Materials/Finishes:

Housing: SU303F
Polished & Passivated
Center Contact: Beryllium Copper
Gold Plated
Insulators: PEI



MicrowaveTown Company, LLC
1283 E. Route 66 Ave.
Glendora, CA 91741
Tel: (626)241-9635
Fax: (626)698-1638
www.microwavetown.com

DIRECTION OF VIEW



UNIT

mm

TITLE

2.4mm Connector

PROPRIETARY INFORMATION: THE INFORMATION IN THIS DRAWING IS PROPRIETARY AND SHALL NOT BE USED OR DISCLOSED WITHOUT PRIOR WRITTEN PERMISSION FROM MICROWAVETOWN

DRAWN Shaoqing Du

CHECKED Haimin Zhang

APPR. Gang Cao

DWG NO.

D371D34F02-344

UNLESS OTHERWISE SPECIFIED:
1. REMOVE ALL BURRS, BREAK ALL CORNERS, SHARP EDGES 0.05 R MAX
2. LINEARITY TOLERANCES: ±0.1; ANGLE TOLERANCES: ±1°
3. DIAMETERS ON COMMON CENTERS TO BE CONCENTRIC WITHIN 0.1
4. ALL DIMENSIONS ARE AFTER PLATING, SURFACE FINISHED

OUTLINE DRAWING

LTR	DESCRIPTION	DATE	APPR.	DO NOT SCALE DRAWING	SIZE A4_h	SCALE 4: 1	REV. V2.0	SHEET 1/1
-----	-------------	------	-------	----------------------	-----------	------------	-----------	-----------

1 2 3 4 5 6