

1 2 3 4 5 6

A

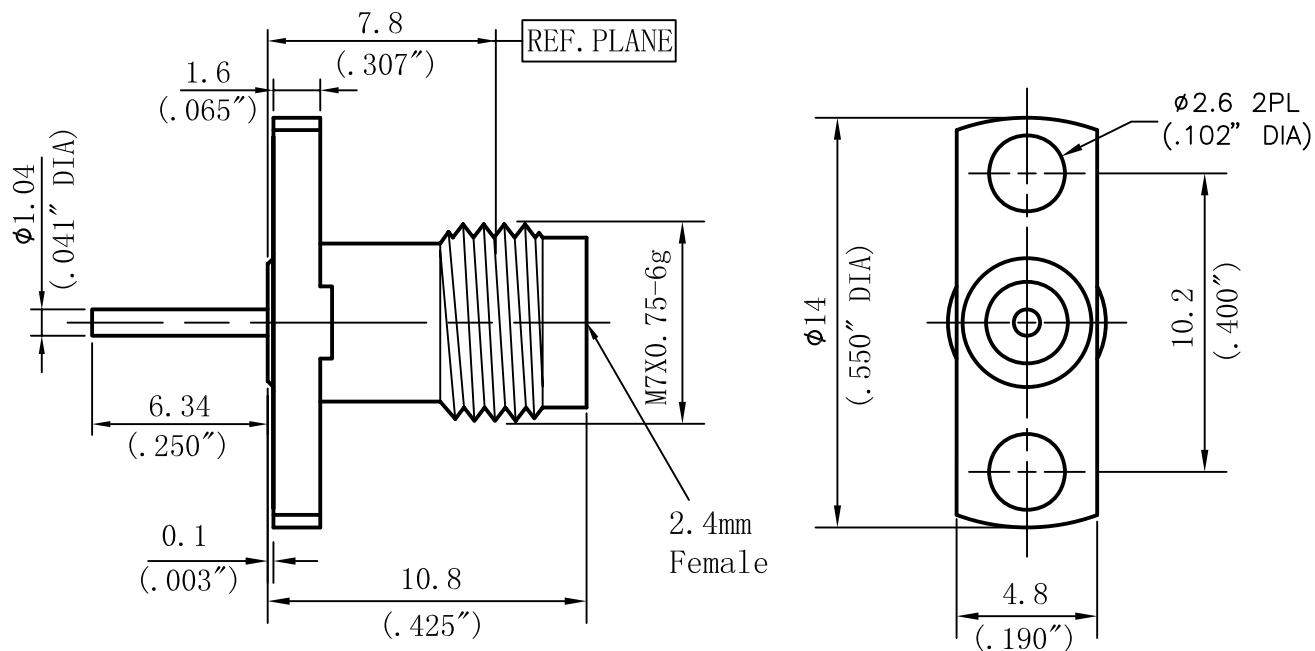
A

B

B

C

C



Performance Features:

Nominal Impedance: 50Ω  
 Frequency Range: DC-50GHz

Materials/Finishes:

Housing: SU303F  
 Polished & Passivated  
 Center Contact: Beryllium Copper  
 Gold Plated  
 Insulators: PEI

**M** MicrowaveTown Company, LLC  
 1283 E. Route 66 Ave.  
 Glendora, CA 91741  
 Tel: (626)241-9635  
 Fax: (626)698-1638  
 www.microwavetown.com

DIRECTION OF VIEW



UNIT

mm

TITLE

2.4mm Connector

PROPRIETARY INFORMATION: THE INFORMATION IN THIS DRAWING IS PROPRIETARY AND SHALL NOT BE USED OR DISCLOSED WITHOUT PRIOR WRITTEN PERMISSION FROM MICROWAVETOWN

DRAWN Shaoqing Du

CHECKED Haimin Zhang

APPR. Gang Cao

DWG NO.

D370D41F05-250

UNLESS OTHERWISE SPECIFIED:  
 1. REMOVE ALL BURRS, BREAK ALL CORNERS, SHARP EDGES 0.05 R MAX  
 2. LINEARITY TOLERANCES ±0.1; ANGLE TOLERANCES ±1°  
 3. DIAMETERS ON COMMON CENTERS TO BE CONCENTRIC WITHIN 0.1  
 4. ALL DIMENSIONS ARE AFTER PLATING, SURFACE FINISHED

OUTLINE DRAWING

LTR	DESCRIPTION	DATE	APPR.	DO NOT SCALE DRAWING	SIZE A4_h	SCALE 4:1	REV. V2.0	SHEET 1/1

1 2 5 6