

1 2 3 4 5 6

A

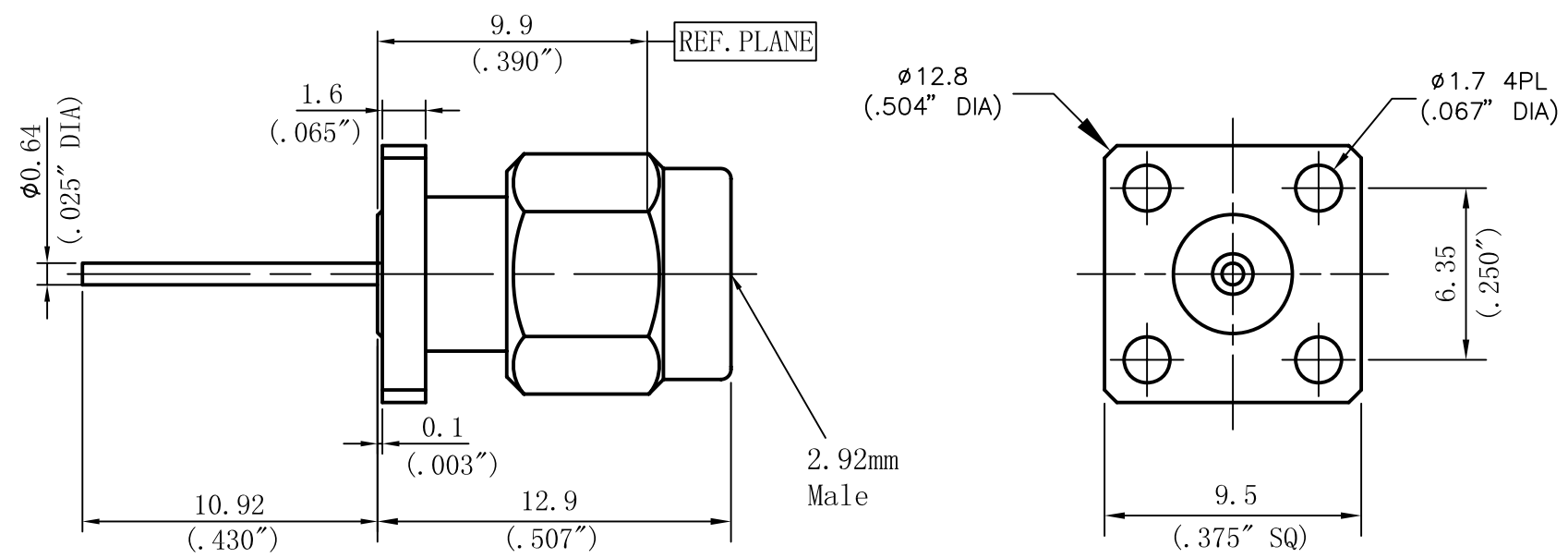
B

C

A

B

C



Performance Features:

Nominal Impedance: 50Ω
Frequency Range: DC-40GHz

Materials/Finishes:

Housing: SU303F
Polished & Passivated
Center Contact: Beryllium Copper
Gold Plated
Insulators: PEI

				DIRECTION OF VIEW	UNIT	TITLE			
					mm	2.92mm Connector			
				DRAWN	Shaoqing Du	DWG NO.			
				CHECKED	Haimin Zhang	D361D25F02-430			
				APPR.	Gang Cao				
				UNLESS OTHERWISE SPECIFIED: 1. REMOVE ALL BURRS, BREAK ALL CORNERS, SHARP EDGES 0.05 R MAX 2. LINEARITY TOLERANCES ±0.1; ANGLE TOLERANCES ±1° 3. DIAMETERS ON COMMON CENTERS TO BE CONCENTRIC WITHIN 0.1 4. ALL DIMENSIONS ARE AFTER PLATING, SURFACE FINISHED		OUTLINE DRAWING			
LTR	DESCRIPTION	DATE	APPR.	DO NOT SCALE DRAWING		SIZE A4_h	SCALE 4: 1	REV. V2.0	SHEET 1/1

1 2 3 4 5 6