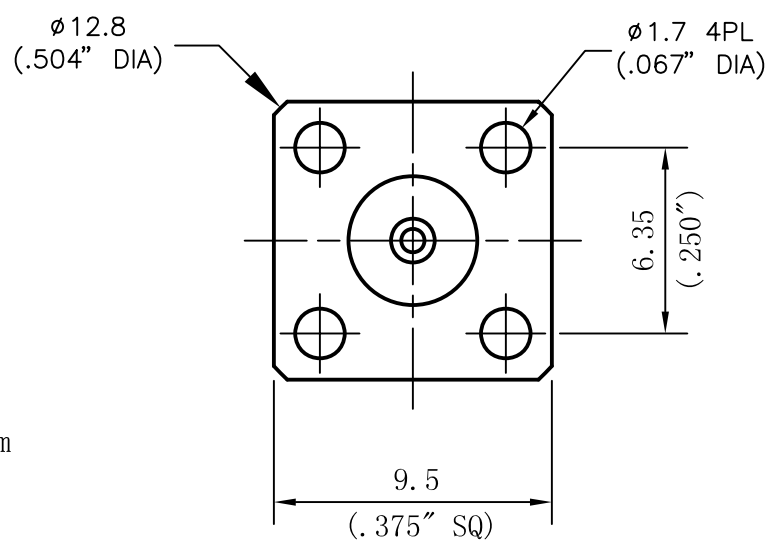
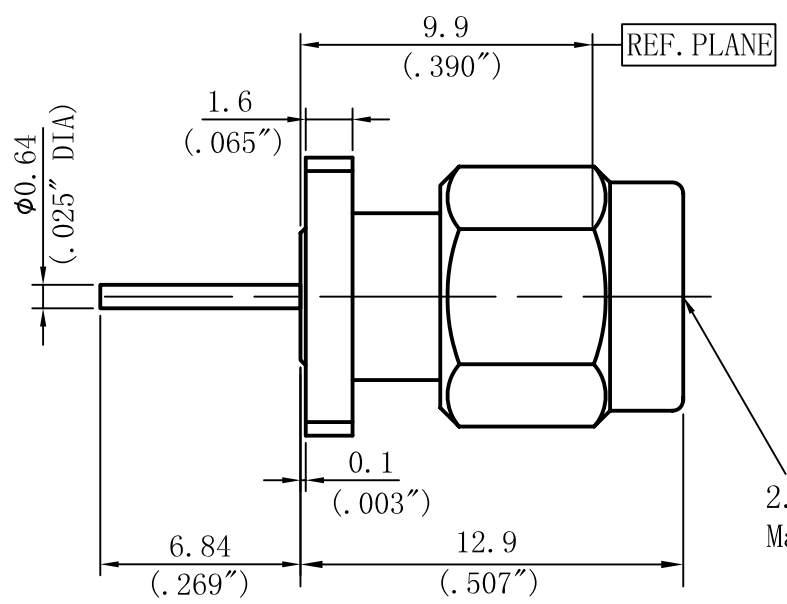


1 2 3 4 5 6

A  
B  
C  
D



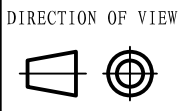
**Performance Features:**

Nominal Impedance: 50Ω  
Frequency Range: DC-40GHz

**Materials/Finishes:**

Housing: SU303F  
Polished & Passivated  
Center Contact: Beryllium Copper  
Gold Plated  
Insulators: PEI

**M** MicrowaveTown Company, LLC  
1283 E. Route 66 Ave.  
Glendora, CA 91741  
Tel: (626)241-9635  
Fax: (626)698-1638  
www.microwavetown.com



UNIT  
mm

TITLE  
**2.92mm Connector**

PROPRIETARY INFORMATION: THE INFORMATION IN THIS DRAWING IS PROPRIETARY AND SHALL NOT BE USED OR DISCLOSED WITHOUT PRIOR WRITTEN PERMISSION FROM MICROWAVETOWN

DRAWN | Shaoqing Du  
CHECKED | Haimin Zhang  
APPR. | Gang Cao

DWG NO.  
**D361D25F02-269**

UNLESS OTHERWISE SPECIFIED:  
1. REMOVE ALL BURRS, BREAK ALL CORNERS, SHARP EDGES 0.05 R MAX  
2. LINEARITY TOLERANCES ±0.1; ANGLE TOLERANCES ±1°  
3. DIAMETERS ON COMMON CENTERS TO BE CONCENTRIC WITHIN 0.1  
4. ALL DIMENSIONS ARE AFTER PLATING, SURFACE FINISHED

**OUTLINE DRAWING**

LTR	DESCRIPTION	DATE	APPR.	DO NOT SCALE DRAWING	SIZE A4_h	SCALE 4: 1	REV. V2.0	SHEET 1/1
-----	-------------	------	-------	----------------------	-----------	------------	-----------	-----------

1 2 5 6