

















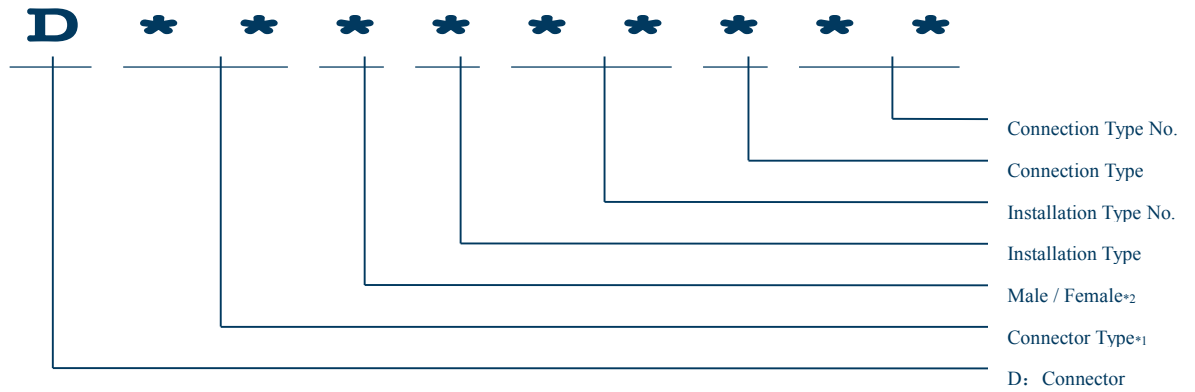
RF Coaxial Connectors



	SMA	DC~27GHz
	2.92mm	DC~40GHz
	2.4mm	DC~50GHz
	1.85mm	DC~65GHz
	N type	DC~18GHz
	TNCA	DC~18GHz
	SSMA	DC~40GHz
	APC-7	DC~18GHz (Customized)
	TNC	DC~11GHz (Customized)
	3.5mm	DC~33GHz (Customized)
	BMA	DC~27GHz (Customized)
	SMP	DC~40GHz (Customized)
	L16	DC~18GHz (Customized)
	7/16	DC~8GHz (Customized)



Part Number Designation of Connectors



*1、Connector Type

31	L16
32	7/16
33	APC-7
34	N type
35	3.5mm
36	2.92mm
37	2.4mm
38	1.85mm
53/54	TNC/TNCA
55	SMA
57	SSMA
58	BMA
63	SMP

*3、Installation Type

S	Replaceable
M	Receptacle(Round Contact)
P	Receptacle(Exposed Teflon)
D	Receptacle(Blunt Post Contact)
T	Receptacle(Tab Contact)
B	PCB Receptacles
L	Stripline Receptacles

*2、Male/Female

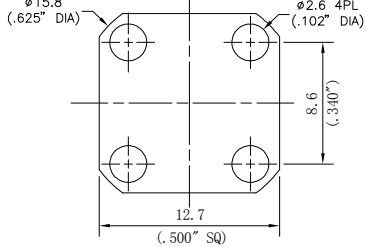
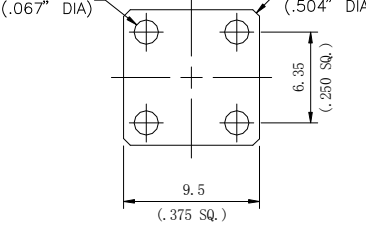
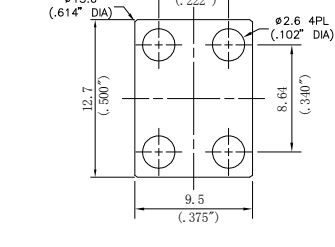
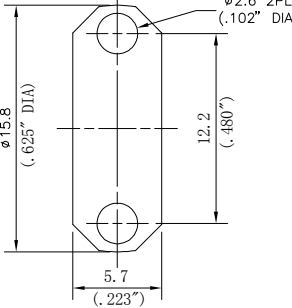
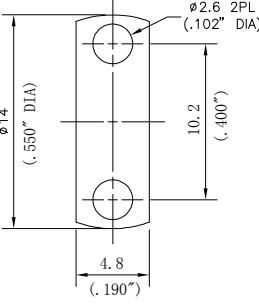
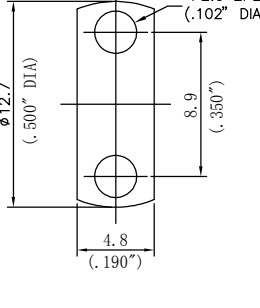
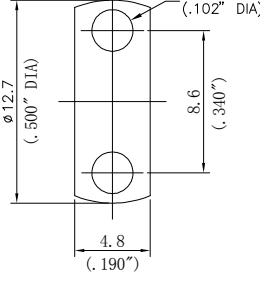
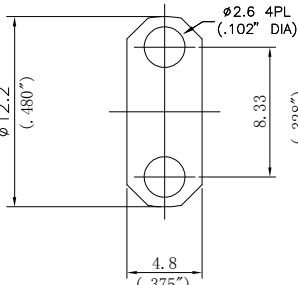
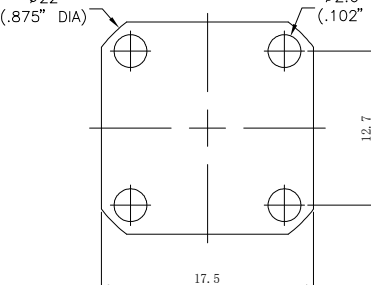
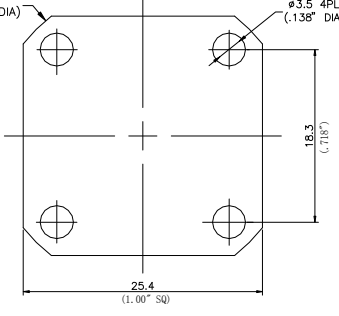
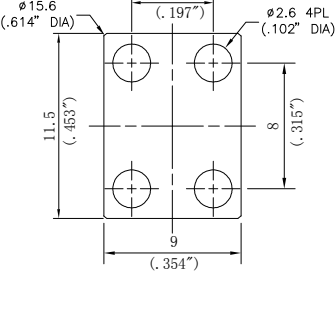
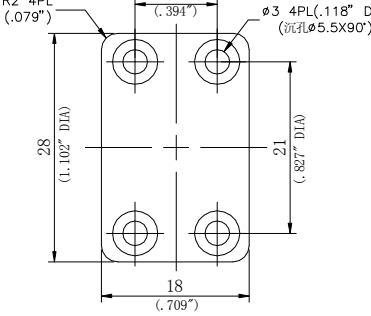
0	K/Jack/Female
1	J/Plug/Male
N	None
3	Reverse Polarity -K/Jack/Female
4	Reverse Polarity -J/Plug/Male

*4、Connection Type

F	Flange
Y	Thread-in
H	PCB vertical welding
E	PCB edge welding



Flange Type

 <p>F01</p>	 <p>F02</p>	 <p>F03</p>
 <p>F04</p>	 <p>F05</p>	 <p>F06</p>
 <p>F07</p>	 <p>F08</p>	 <p>F09</p>
 <p>F10</p>	 <p>F13</p>	 <p>F33</p>