



SINGLE-STAGE INCUBATOR

Tel: (626)823-4815 Fax: (626)698-1638

Email: sales@microwavetown.com

Web: <http://www.microwavetown.com/poultry equipments>



EGG TURNOVER MECHANISM



AIR-COOLING SYSTEM



AGITATING FAN SYSTEM



HUMIDIFYING MECHANISM DAMPER SYSTEM



THERMOSTAT SYSTEM



TEMPERATURE AND HUMIDITY SENSOR



EGG TURNOVER DETECTION



TROLLEY

EIF (DM/DZ/DMS)-19200 Incubation Equipment for Chicks
EIF (DM/DZ/DMS)-12096 Incubation Equipment for Ducks
EIF (DM/DZ/DMS)-8640 Incubation Equipment for Geese

EIF (DM/DZ/DMS)-19200/12096 Major parameters:

CAPACITY: 19200(chicks)/12096(ducks)

QUANTITY OF EGG TROLLEY: 4 pcs

APPARENT POWER (kw): 5.8 kw

POWER SUPPLY REQUIREMENT: 380/220 VAC 50 Hz

DIMENSIONS: 3360 × 2460 × 2630 (mm)

11' × 8' × 8'

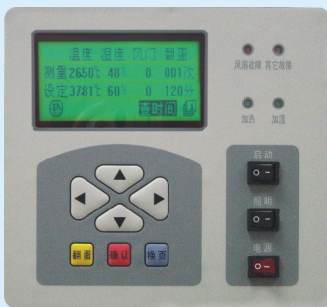
TEMPERATURE CONTROL RANGE: 34.2~39.5°C
93.5~103 °F

HUMIDITY CONTROL RANGE: 40~80% RH

EGG TURNOVER TIMING: 60/120 MIN

EGG TURNOVER ANGLE: 43 ± 2°

ALL KINDS OF CONTROLLING SYSTEM:



DZ INCUBATOR INTELLIGENT CONTROL SYSTEM WITH CHINESE DISPLAY



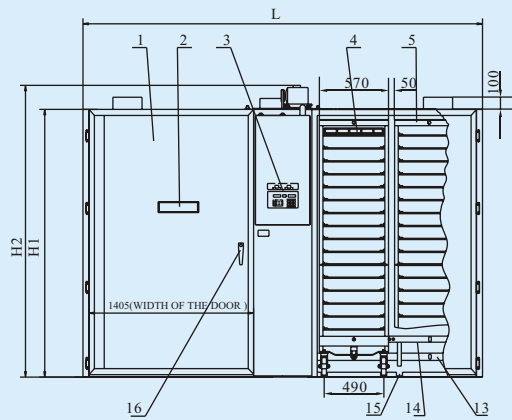
DMS INCUBATOR CONTROL SYSTEM WITH MULTIFUNCTION DISPLAY



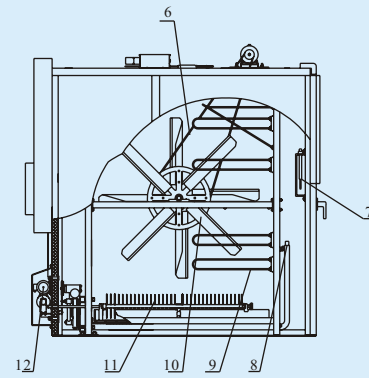
HATCH KING INCUBATOR CONTROL SYSTEM WITH MULTIFUNCTION TOUCH-SCREEN DISPLAY

SPECIFICATIONS, CONSTRUCTION AND DIMENSIONS OF EIF (DM/DZ/DMS)-19200/12096 MODEL BOX-TYPE INCUBATOR

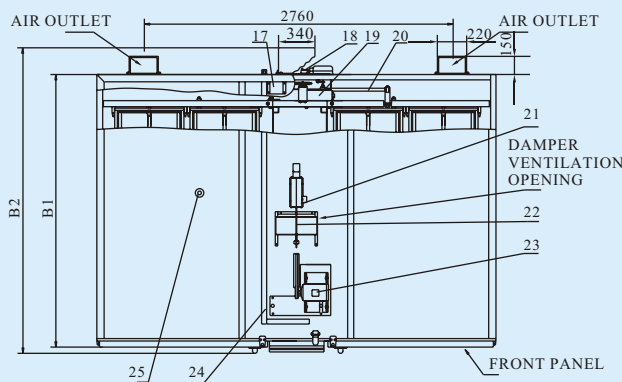
FRONT VIEW



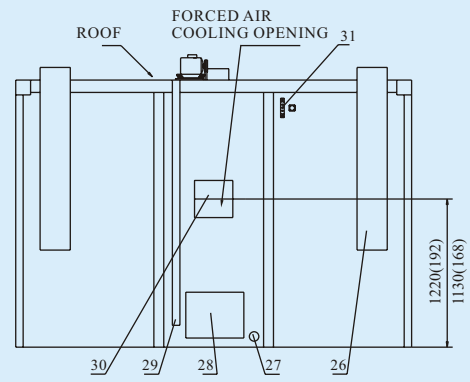
SIDE VIEW



TOP VIEW



REAR VIEW



No.	Description	Qty.	No.	Description	Qty.	No.	Description	Qty.
1	Door	2	11	Humidifying system	1	22	Damper cover plate	1
2	Observing Window	2	12	Humidifying Decelerating system	1	23	Big fan motor	1
3	Controlling Cabinet	1	13	Egg turnover sliding rod	1	24	Top wiring duct	2
4	Egg tray	128/112	14	Egg turnover fixing rod	1 set	25	Temperature and humidity sensors	1 set for each one
5	Egg trolley	4	15	Guide rail	8	26	Exhaust Pipe	2
6	Big Fan Belt	1	16	Handle	2	27	Water inlet opening	1
7	Thermostat	1	17	Power strip	1	28	Egg turnover, humidifying motor shield	1
8	Water Out	1	18	Egg turnover detection system	1	29	Rear panel wiring duct	1
9	Heating rod	8	19	Egg turnover accelerating case	1	30	Air-cooling system and exhaust cover	1 set for each one
10	Fan blade	8	20	Egg turnover rocker	1	31	Grounding terminal	1
	Big belt pulley	1	21	Damper box	1			

SPECIFICATION		DIMENSION (LxBxH)mm	CAPACITY	Specification of trolley (capacity/tier/quantity/dimension)	Specification of egg tray (capacity/quantity/dimension)	APPARENT POWER
INCUBATOR	EIF(DM\DZ\DMS)-(Chicks)-19200	3360×2235×2375	19200	4800\16\4\1540×570×2101	150\2\732×502×37	5.84
	EIF(DM\DZ\DMS)-(Ducks)12096	3360×2235×2375	12096	3024\12\4\1600×570×2101	63\4\502×381×45	5.84
	EIF(DM\DZ\DMS)-(Geese)8640	3360×2235×2375	8640	2160\15\4\1600×570×2101	72\2\768×502×45	5.84
HATCHER	EIC(DM\DZ\DMS)-(Chicks)-19200	3360×2235×2375	19200	4800\16\4\1640×608×945	150\2\800×532×120	5.66
	EIC(DM\DZ\DMS)-(Ducks)12096	3360×2235×2375	12096	3024\13\4\1700×590×1954	150\2\800×532×120	5.66
	EIC(DM\DZ\DMS)-(Geese)8640	3360×2235×2375	8640	2160\14\4\1700×590×2081	150\2\800×532×120	5.66

Tel: (626)823-4815 Fax: (626)698-1638
 Email: sales@microwavetown.com
 Web: <http://www.microwavetown.com/poultry equipments>