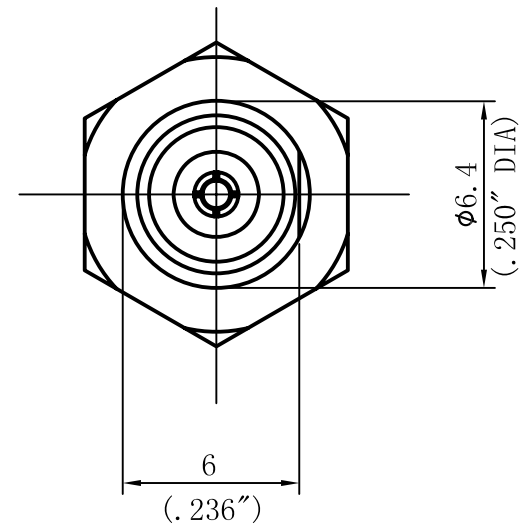
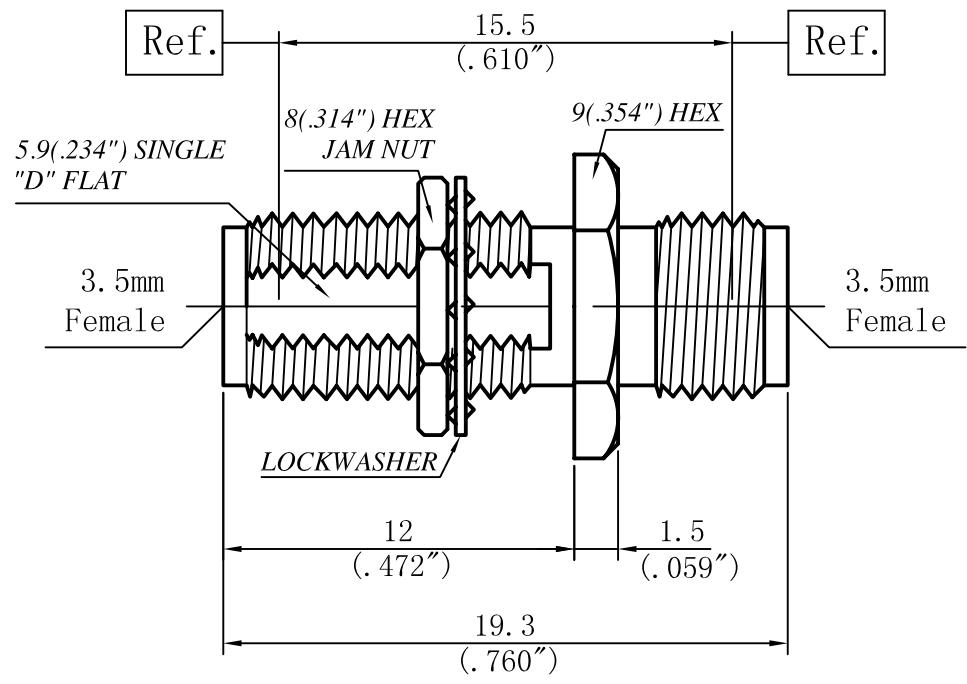


1 2 3 4 5 6

A
B
C
D



Performance Features:

Nominal Impedance: 50Ω
 Frequency Range: DC-33GHz
 VSWR: DC-33GHz... 1.15:1 (Max)

Materials/Finishes:

Housing: SU303F
 Polished & Passivated
 Center Contact: Beryllium Copper
 Gold Plated
 Insulators:PEI

MicrowaveTown				DIRECTION OF VIEW	UNIT	TITLE		
					mm	3.5mm Adapter		
<small>PROPRIETARY INFORMATION: THE INFORMATION IN THIS DRAWING IS PROPRIETARY AND SHALL NOT BE USED OR DISCLOSED WITHOUT PRIOR WRITTEN PERMISSION FROM MICROWAVETOWN</small>				DRAWN	Shaoqing Du			
				CHECKED	Haimin Zhang			
<small>UNLESS OTHERWISE SPECIFIED: 1. REMOVE ALL BURRS, BREAK ALL CORNERS, SHARP EDGES 0.05 R MAX 2. LINEARITY TOLERANCES ±0.1; ANGLE TOLERANCES ±1° 3. DIAMETERS ON COMMON CENTERS TO BE CONCENTRIC WITHIN 0.1 4. ALL DIMENSIONS ARE AFTER PLATING, SURFACE FINISHED</small>				APPR.	Gang Cao			
				DWG NO.		Z353500Y02		
				OUTLINE DRAWING				
LTR	DESCRIPTION	DATE	APPR.	DO NOT SCALE DRAWING	SIZE A4_h	SCALE 4:1	REV. V2.0	SHEET 1/1

1 2 3 4 5 6