

1 2 3 4 5 6

A

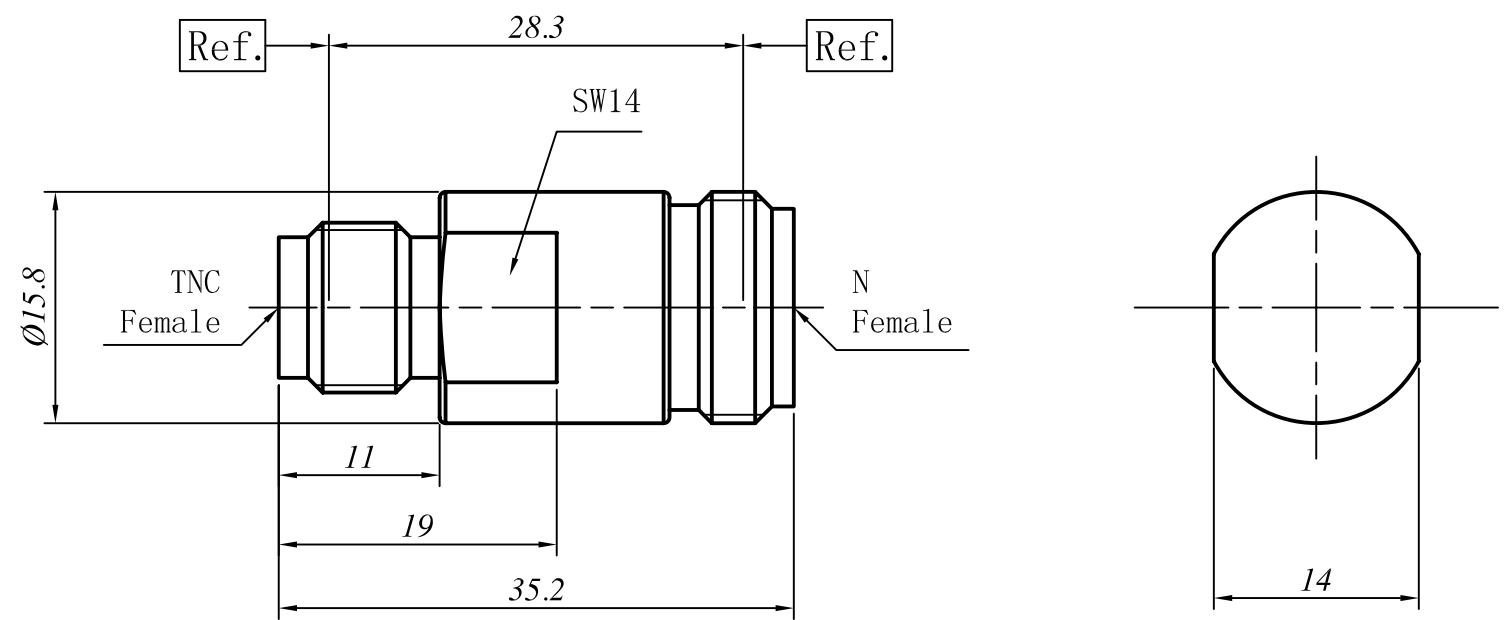
B

C

A

B

C



Performance Features:

Nominal Impedance: 50 Ω
 Frequency Range: DC-18GHz
 VSWR: DC-18GHz.... 1.15:1 (Max)

Materials/Finishes:

Housing: SU303F
 Polished & Passivated
 Center Contact: Beryllium Copper
 Gold Plated
 Insulators: PTFE&PEI

MicrowaveTown				DIRECTION OF VIEW		UNIT	TITLE			
						mm	N-TNC Adapter			
<small>PROPRIETARY INFORMATION: THE INFORMATION IN THIS DRAWING IS PROPRIETARY AND SHALL NOT BE USED OR DISCLOSED WITHOUT PRIOR WRITTEN PERMISSION FROM MICROWAVETOWN</small>				DRAWN	Haimin Zhang		DWG NO.			
				CHECKED	Gang Cao		Z345400Z01			
				APPR.	Donald Wu		OUTLINE DRAWING			
				<small>UNLESS OTHERWISE SPECIFIED: 1. REMOVE ALL BURRS, BREAK ALL CORNERS, SHARP EDGES 0.05 R MAX 2. LINEARITY TOLERANCES ± 0.1; ANGLE TOLERANCES $\pm 1^\circ$ 3. DIAMETERS ON COMMON CENTERS TO BE CONCENTRIC WITHIN 0.1 4. ALL DIMENSIONS ARE AFTER PLATING, SURFACE FINISHED </small>						
LTR	DESCRIPTION	DATE	APPR.	DO NOT SCALE DRAWING			SIZE A4_h	SCALE 2:1	REV. V1.1	SHEET 1/1

1 2 3 4 5 6