



Quick Replacement Adapters

Performance Features

Nominal Impedance: 50Ω

Durability: 500 Cycles

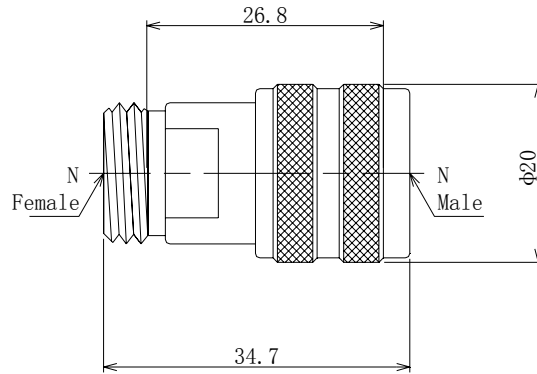
Operating Temperature: -50°C~+125°C

Materials/Finishes

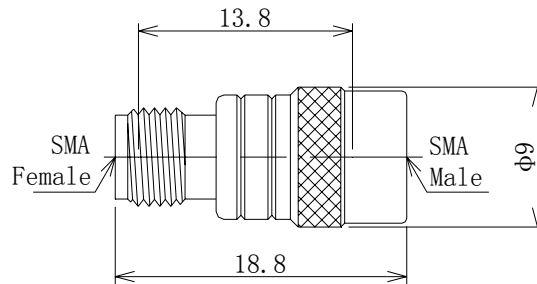
Housing: Type 303 Stainless Steel - Polished & Passivated

Center Contact: Beryllium Copper Plated Gold

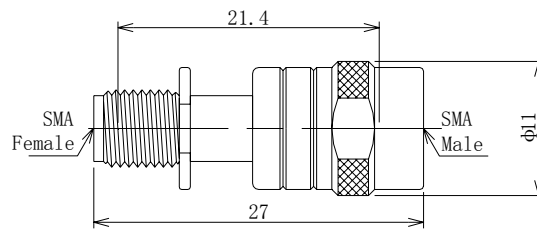
Insulators: PEI&PTFE



P/N	K343410P01
Description	N-N(JK)
VSWR	DC-18GHz...1.15:1(Max)



P/N	K555510P01
Description	SMA-SMA(JK)
VSWR	DC-27GHz...1.20:1(Max)



P/N	K555510S01
Description	SMA-SMA(JK)
VSWR	DC-27GHz...1.25:1(Max)