

1 2 3 4 5 6

A

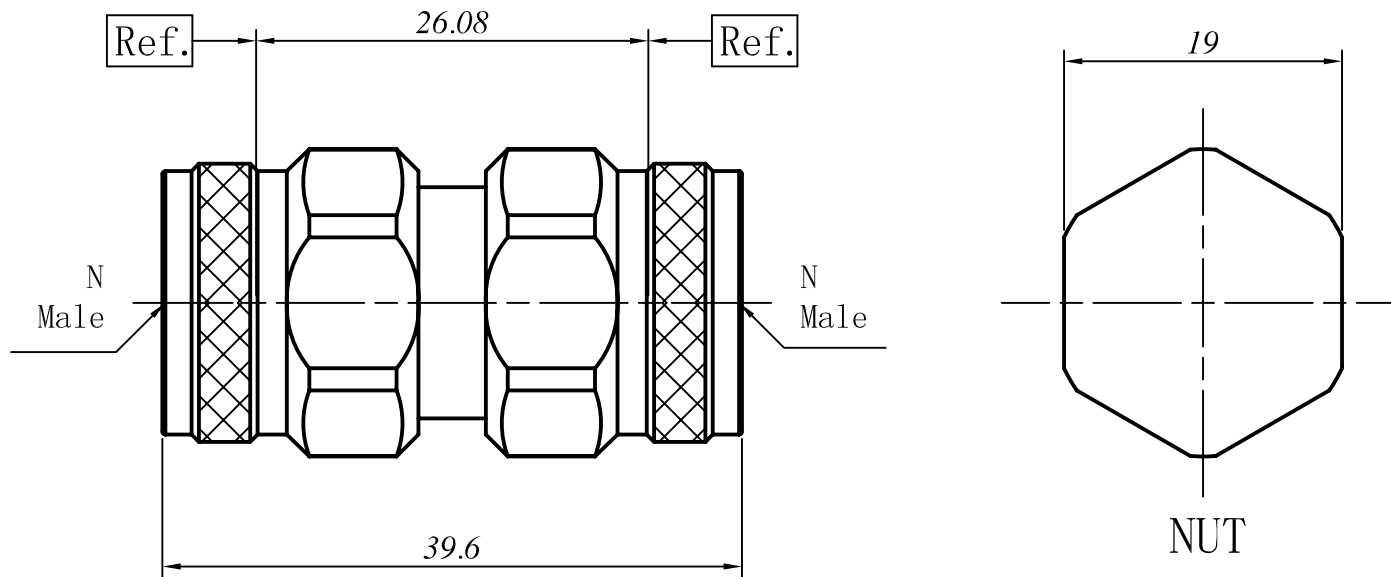
A

B

B

C

C



**Performance Features:**

Nominal Impedance: 50Ω  
 Frequency Range: DC-18GHz  
 VSWR: DC-18GHz.... 1.15:1 (Max)

**Materials/Finishes:**

Housing: SU303F  
 Polished & Passivated  
 Center Contact: Beryllium Copper  
 Gold Plated  
 Insulators: PEI

<b>MicrowaveTown</b>				DIRECTION OF VIEW 	UNIT mm	TITLE N Adapter				
PROPRIETARY INFORMATION: THE INFORMATION IN THIS DRAWING IS PROPRIETARY AND SHALL NOT BE USED OR DISCLOSED WITHOUT PRIOR WRITTEN PERMISSION FROM MICROWAVETOWN				DRAWN Haimin Zhang	DWG NO.		Z343411Z01			
				CHECKED Gang Cao	OUTLINE DRAWING					
				APPR. Donald Wu	UNLESS OTHERWISE SPECIFIED: 1. REMOVE ALL BURRS, BREAK ALL CORNERS, SHARP EDGES 0.05 R MAX 2. LINEARITY TOLERANCES ±0.1; ANGLE TOLERANCES ±1° 3. DIAMETERS ON COMMON CENTERS TO BE CONCENTRIC WITHIN 0.1 4. ALL DIMENSIONS ARE AFTER PLATING, SURFACE FINISHED					
LTR	DESCRIPTION	DATE	APPR.	DO NOT SCALE DRAWING		SIZE A4_h	SCALE2: 1	REV. V1.1	SHEET1/1	

1 2 3 4 5 6