



## N Type connectors (DC~18GHz)

Microwave Town N-Type connectors are 50Ω precision connectors. They are designed with excellent characteristics over the full frequency range up to 18GHz.

### Specifications

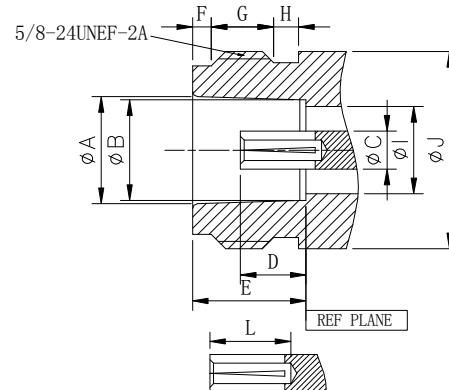
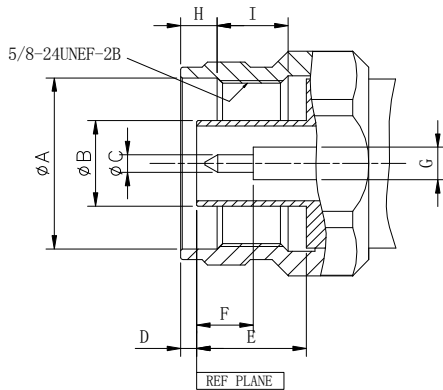
Impedance:	50Ω
Frequency:	DC-18GHz
VSWR:	
DC-18GHz....	1.15:1 (max)
Contact Resistance:	Center Contact≤1.0mΩ Housing≤0.2mΩ
Insulation Resistance:	≥5000MΩ
Dielectric Withstanding Voltage:	1500V
Durability:	500 cycles
Temperature Range:	-55℃~+165℃

### Material/Finishing

Housing:	Stainless Steel SU303	Polished/Passivated
Center Contact:	Beryllium Copper Gold plated(MIL-G-45204)	
Insulators:	PTFE&PEI	

### Interfaces:PER MIL-STD-348A

## Interface Dimensions



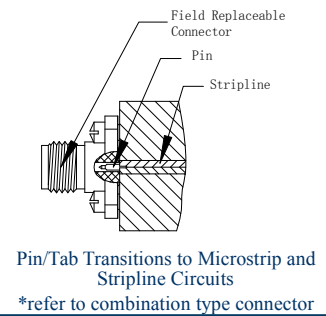
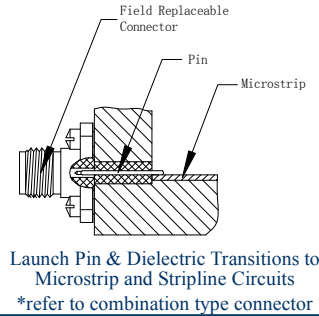
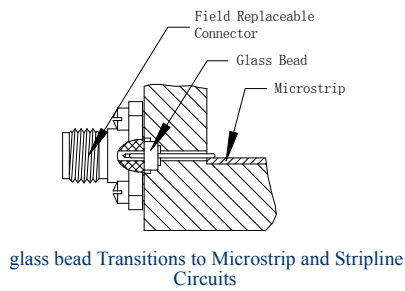
N Type Male				
	mm		Inch	
	Min	Max	Min	Max
A	16.00	—	0.630	—
B	7.98	8.04	0.3140	0.3165
C	1.64	1.67	0.0644	0.0656
D	0.28	1.30	0.011	0.051
E	9.19	9.45	0.362	0.372
F	5.28	5.36	0.208	0.211
G	3.03	3.05	0.1194	0.1200
H	4.01	4.27	0.158	0.168
I	4.50	5.00	0.177	0.197

N Type Female				
	mm		Inch	
	Min	Max	Min	Max
A	8.53	8.74	0.336	0.344
B	8.05	8.10	0.317	0.319
C	3.03	3.05	0.1194	0.1200
D	5.18	5.26	0.204	0.207
E	9.07	9.17	0.357	0.361
F	1.19	1.96	0.047	0.077
G	4.57	5.59	0.180	0.220
H	1.02	2.03	0.040	0.080
I	6.99	7.01	0.2753	0.2759
J	—	15.93	—	0.627

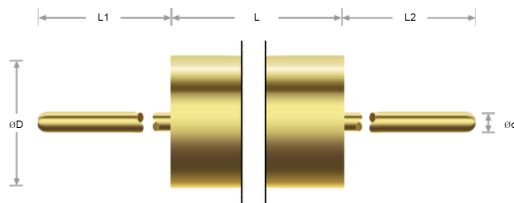


❖ N Replaceable connectors

➤ Product Application



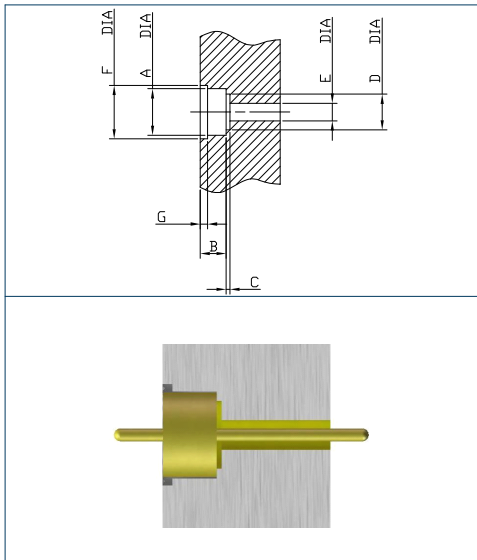
➤ Glass Bead Commonly Used Size



Commonly used size (recommend)			
d	0.46mm 0.018"	0.51mm 0.020"	0.91mm 0.036"
D	2.79mm 0.110"	4.01mm 0.158"	6.81mm 0.268"
L	1.52mm 0.06"	1.52mm 0.06"	1.52mm 0.06"
L1	A variety of sizes available		
L2	A variety of sizes available		

\*Note: both ends of L1/L2 can insert into connector, depth less than 2.5mm

➤ Glass Bead Installation Dimension (FYI)



Pin diameter	0.46mm 0.018"	0.51mm 0.020"	0.91mm 0.036"
A	Glass bead dimension D&L		
B	Glass bead dimension D&L		
C	0.18-0.23mm 0.007-0.009"	0.23-0.25mm 0.009-0.010"	0.46-0.56mm 0.018-0.022"
D	2.13-2.18mm 0.084-0.086"	3.15-3.20mm 0.124-0.126"	3.76-3.86mm 0.148-0.152"
E	This is 50 ohms transmission line, In accordance with pin diameter conversion, E=pin diameter*2.3		
F	Solder capture slot, common dimension is F=A+1mm		
G	Solder capture slot, common dimension is 0.5mm		

\*Note: C/D structure is optional if processing precision cannot guarantee

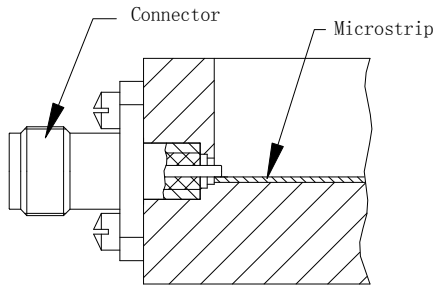


		<table border="1"> <thead> <tr> <th>PN</th> <th>Diameter</th> </tr> </thead> <tbody> <tr> <td>D340S18F10</td> <td>0.46mm/0.018 "</td> </tr> <tr> <td>D340S20F10</td> <td>0.51mm/0.020 "</td> </tr> <tr> <td>D340S36F10</td> <td>0.91mm/0.036 "</td> </tr> </tbody> </table>	PN	Diameter	D340S18F10	0.46mm/0.018 "	D340S20F10	0.51mm/0.020 "	D340S36F10	0.91mm/0.036 "
PN	Diameter									
D340S18F10	0.46mm/0.018 "									
D340S20F10	0.51mm/0.020 "									
D340S36F10	0.91mm/0.036 "									
		<table border="1"> <thead> <tr> <th>PN</th> <th>Diameter</th> </tr> </thead> <tbody> <tr> <td>D340S18F09</td> <td>0.46mm/0.018 "</td> </tr> <tr> <td>D340S20F09</td> <td>0.51mm/0.020 "</td> </tr> <tr> <td>D340S36F09</td> <td>0.91mm/0.036 "</td> </tr> </tbody> </table>	PN	Diameter	D340S18F09	0.46mm/0.018 "	D340S20F09	0.51mm/0.020 "	D340S36F09	0.91mm/0.036 "
PN	Diameter									
D340S18F09	0.46mm/0.018 "									
D340S20F09	0.51mm/0.020 "									
D340S36F09	0.91mm/0.036 "									
		<table border="1"> <thead> <tr> <th>PN</th> <th>Diameter</th> </tr> </thead> <tbody> <tr> <td>D340S18F01</td> <td>0.46mm/0.018 "</td> </tr> <tr> <td>D340S20F01</td> <td>0.51mm/0.020 "</td> </tr> <tr> <td>D340S36F01</td> <td>0.91mm/0.036 "</td> </tr> </tbody> </table>	PN	Diameter	D340S18F01	0.46mm/0.018 "	D340S20F01	0.51mm/0.020 "	D340S36F01	0.91mm/0.036 "
PN	Diameter									
D340S18F01	0.46mm/0.018 "									
D340S20F01	0.51mm/0.020 "									
D340S36F01	0.91mm/0.036 "									
		<table border="1"> <thead> <tr> <th>PN</th> <th>Diameter</th> </tr> </thead> <tbody> <tr> <td>D341S18F10</td> <td>0.46mm/0.018 "</td> </tr> <tr> <td>D341S20F10</td> <td>0.51mm/0.020 "</td> </tr> <tr> <td>D341S36F10</td> <td>0.91mm/0.036 "</td> </tr> </tbody> </table>	PN	Diameter	D341S18F10	0.46mm/0.018 "	D341S20F10	0.51mm/0.020 "	D341S36F10	0.91mm/0.036 "
PN	Diameter									
D341S18F10	0.46mm/0.018 "									
D341S20F10	0.51mm/0.020 "									
D341S36F10	0.91mm/0.036 "									
		<table border="1"> <thead> <tr> <th>PN</th> <th>Diameter</th> </tr> </thead> <tbody> <tr> <td>D341S18F09</td> <td>0.46mm/0.018 "</td> </tr> <tr> <td>D341S20F09</td> <td>0.51mm/0.020 "</td> </tr> <tr> <td>D341S36F09</td> <td>0.91mm/0.036 "</td> </tr> </tbody> </table>	PN	Diameter	D341S18F09	0.46mm/0.018 "	D341S20F09	0.51mm/0.020 "	D341S36F09	0.91mm/0.036 "
PN	Diameter									
D341S18F09	0.46mm/0.018 "									
D341S20F09	0.51mm/0.020 "									
D341S36F09	0.91mm/0.036 "									

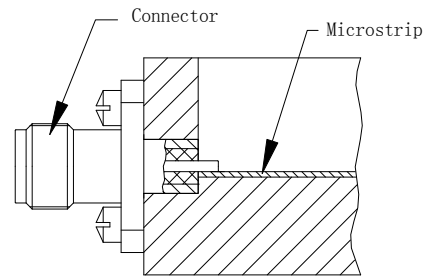


✧ N Receptacle(Round Contact) Connectors

➤ Product Application

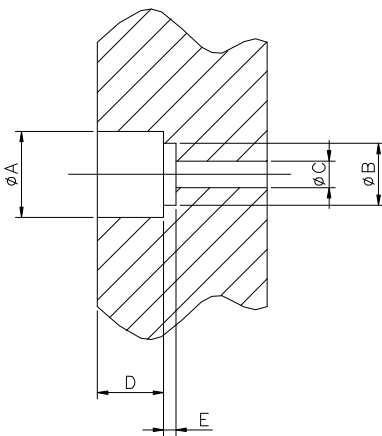


Project 1—SWR matching



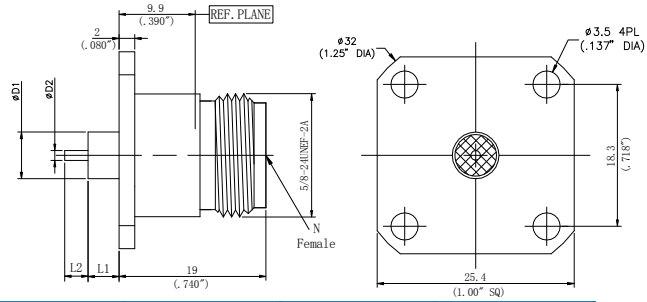
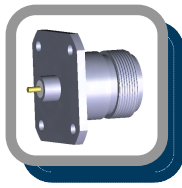
Project 2—through hole

➤ Installation Dimension (project 1—SWR matching structure, FYI)

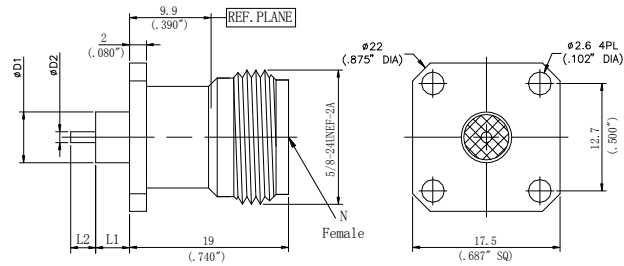
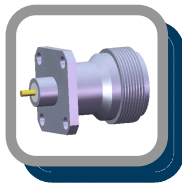


Connector PN	D340M0306F**
A	6.00-6.02mm 0.236-0.237"
B	3.59-3.61mm 0.141-0.142"
C	2.89-2.91mm 0.114-0.115"
D	3.95-4.00mm 0.154-0.158"
E	0.27-0.29mm 0.0106-0.0114"

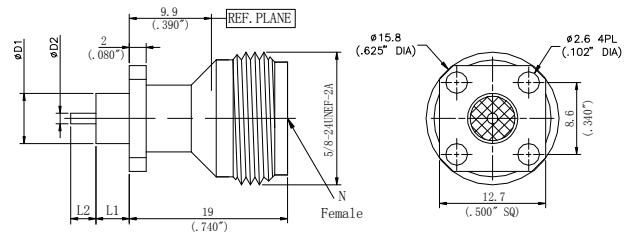
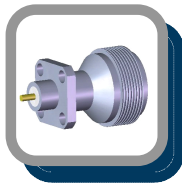
\*Note: D should be shorter than metal contact ring. Make the front end of metal contact can be tightly stick on the internal surface to ensure better VSWR.



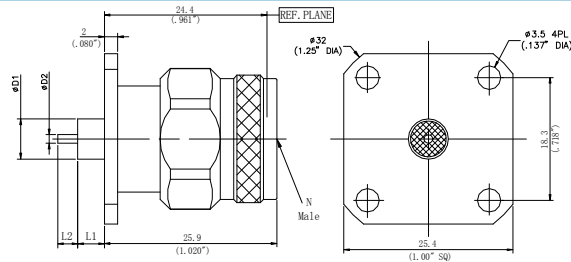
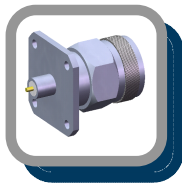
PN	D1	D2	L1	L2
D340M0306F10	6mm/0.236 "	1.27mm/0.05 "	4mm/0.158 "	3mm/0.118 "



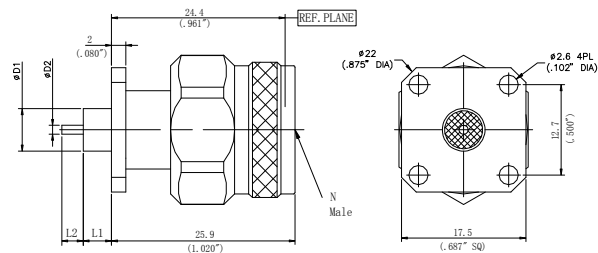
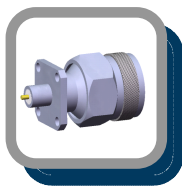
PN	D1	D2	L1	L2
D340M0306F09	6mm/0.236 "	1.27mm/0.05 "	4mm/0.158 "	3mm/0.118 "



PN	D1	D2	L1	L2
D340M0306F01	6mm/0.236 "	1.27mm/0.05 "	4mm/0.158 "	3mm/0.118 "



PN	D1	D2	L1	L2
D341M0306F10	6mm/0.236 "	1.27mm/0.05 "	4mm/0.158 "	3mm/0.118 "

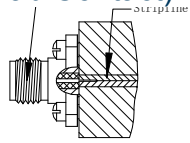


PN	D1	D2	L1	L2
D341M0306F09	6mm/0.236 "	1.27mm/0.05 "	4mm/0.158 "	3mm/0.118 "



✧ N Receptacle(Tab Contact) Connectors

➤ Product Application



PN	D	L	T
D340T15F10	1.50mm/0.059 "	2.00mm/0.079 "	0.2mm/0.008 "

PN	D	L	T
D340T15F09	1.50mm/0.059 "	2.00mm/0.079 "	0.2mm/0.008 "

PN	D	L	T
D340T15F01	1.50mm/0.059 "	2.00mm/0.079 "	0.2mm/0.008 "

PN	D	L	T
D341T15F10	1.50mm/0.059 "	2.00mm/0.079 "	0.2mm/0.008 "

PN	D	L	T
D341T15F09	1.50mm/0.059 "	2.00mm/0.079 "	0.2mm/0.008 "



✧ N Stripline Receptacles Connectors

