



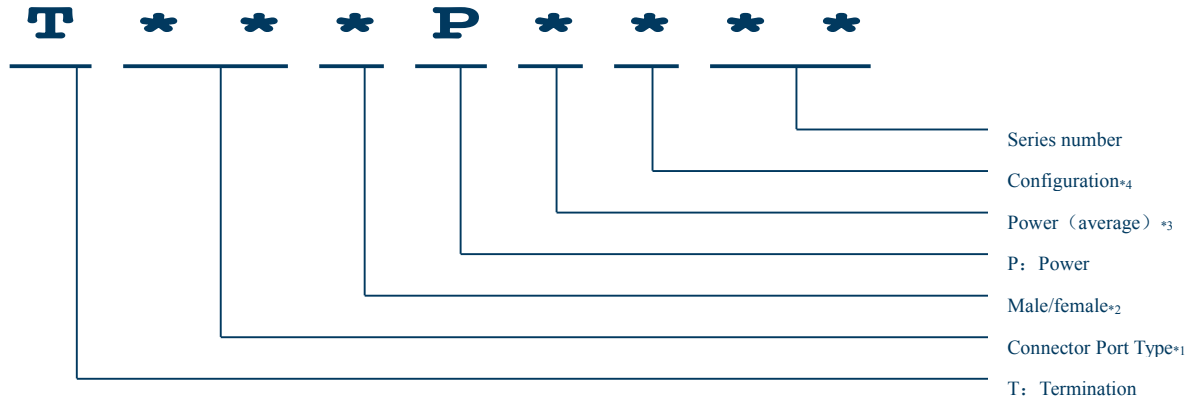
## RF Coaxial Terminations



★	<b>N type</b>	<b>DC~18GHz</b>
★	<b>SMA</b>	<b>DC~18GHz</b>
★	<b>3.5mm</b>	<b>DC~27GHz</b>
★	<b>2.92mm</b>	<b>DC~40GHz</b>
★	<b>2.4mm</b>	<b>DC~40GHz</b>
★	<b>N/SMA</b> Quick mate terminations	



## Part Number Designation of Terminations



### \*1、 Connector Port Type

34	N type
35	3.5mm
36	2.92mm
37	2.4mm
55	SMA

### \*2、 Male/Female

0	K/Jack/Female
1	J/Plug/Male

### \*3、 Power (Average)

0	0.5W
1.2.3....	1.2.3... W

### \*4、 Configuration

Z	Straight
W	Right Angle
F	Flange



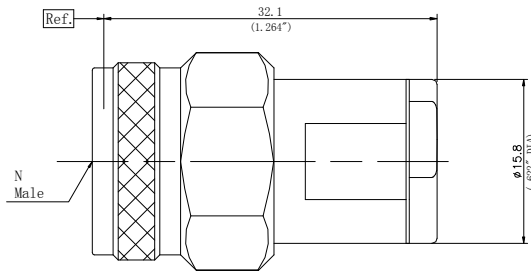
## RF Coaxial Terminations

### Specifications

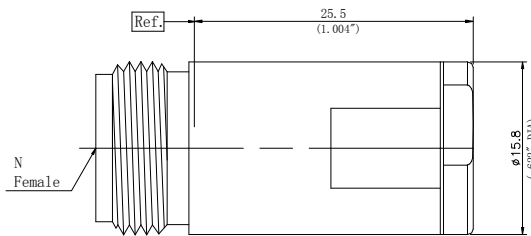
Impedance: 50Ω  
 Temperature: -55°C~+125°C  
 Durability: 500 cycles

### Material/Finishing

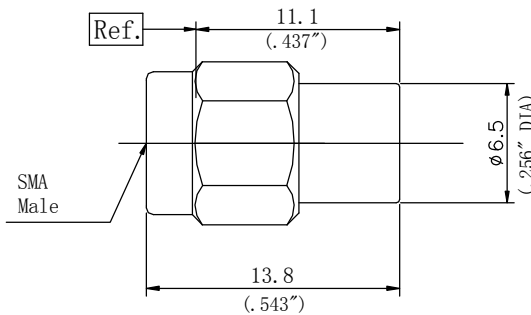
Housing: Stainless Steel SU303    Polished/Passivated  
 Center Contact: Beryllium Copper    Gold plated  
**N/SMA/2.92mm Interfaces PER MIL-STD-348A**  
**3.5mm Interfaces PER IEC-60169**  
**2.4mm Interfaces PER IEEE STD 287-2007**



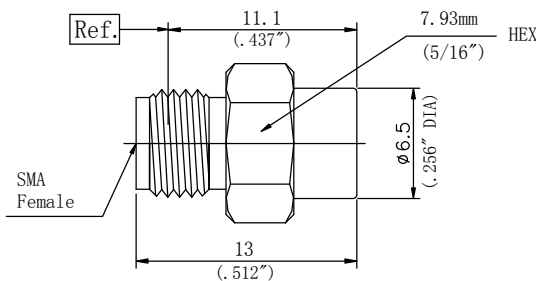
Description	N type(m) termination
PN	T341P1Z01
VSWR	DC-18GHz . . .1.15:1 (max)
Power (average)	1W



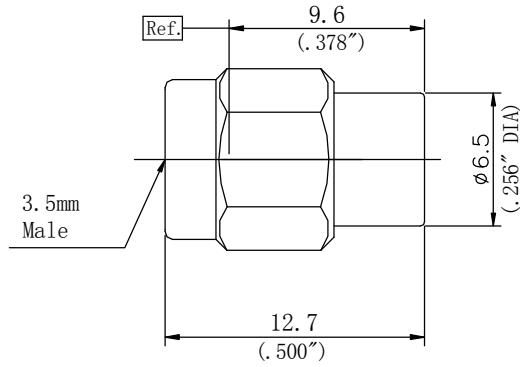
Description	N type(f) termination
PN	T340P1Z01
VSWR	DC-18GHz . . .1.15:1 (max)
Power (average)	1W



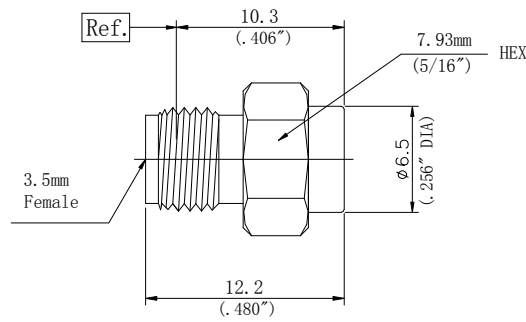
Description	SMA(m) termination
PN	T551P1Z01
VSWR	DC-18GHz . . .1.15:1 (max)
Power (average)	1W



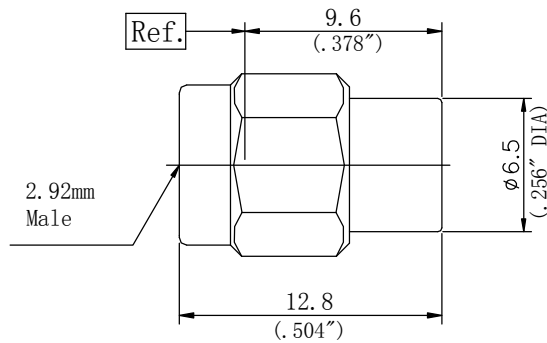
Description	SMA(f) termination
PN	T550P1Z01
VSWR	DC-18GHz . . .1.15:1 (max)
Power (average)	1W



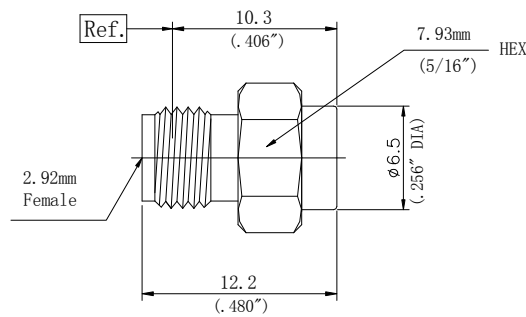
Description	3.5mm(m) termination
PN	T351P0Z01
VSWR	DC-27GHz . . .1.15:1 (max)
Power (average)	0.5W



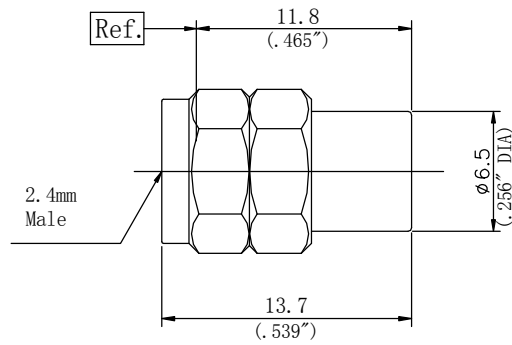
Description	3.5mm(f) termination
PN	T350P0Z01
VSWR	DC-27GHz . . .1.15:1 (max)
Power (average)	0.5W



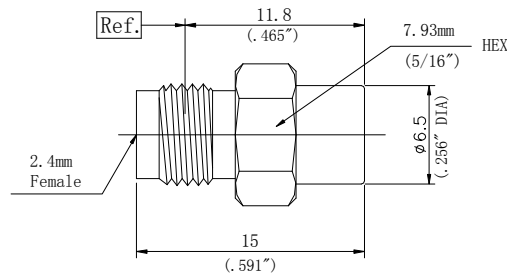
Description	2.92mm(m) termination
PN	T361P0Z01
VSWR	DC-40GHz . . .1.20:1 (max)
Power (average)	0.5W



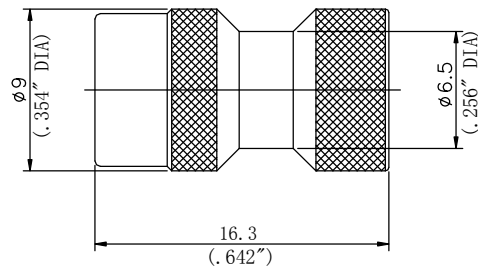
Description	2.92mm(f) termination
PN	T360P0Z01
VSWR	DC-40GHz . . .1.20:1 (max)
Power (average)	0.5W



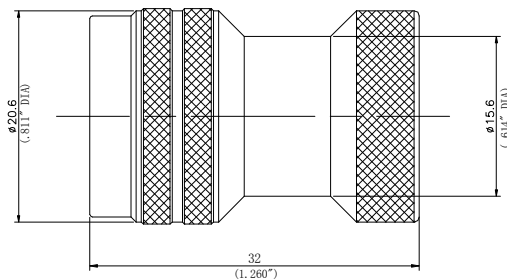
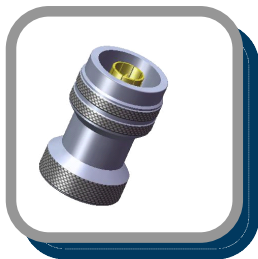
Description	2.4mm(m) termination
PN	T371P0Z01
VSWR	DC-40GHz . . .1.25:1 (max)
Power (average)	0.5W



Description	2.4mm(f) termination
PN	T370P0Z01
VSWR	DC-40GHz . . .1.25:1 (max)
Power (average)	0.5W



Description	SMA(m) quick mate termination
PN	TK551P1P01
VSWR	DC-18GHz . . .1.15:1 (max)
Power (average)	1W



Description	N type(m) quick mate termination
PN	TK341P1P01
VSWR	DC-18GHz . . .1.15:1 (max)
Power (average)	1W