



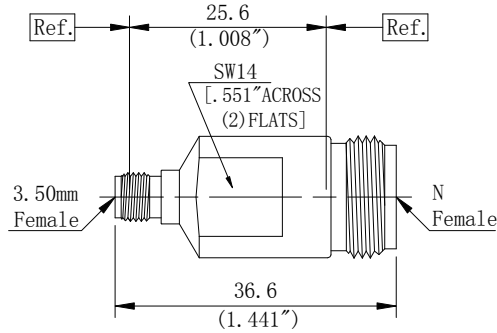
N-3.5mm adapters(DC~18GHz)

Specifications

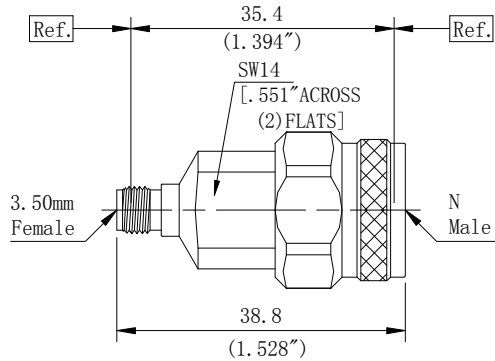
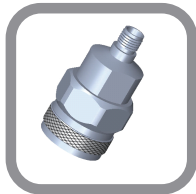
Impedance: 50Ω
Frequency: DC-18GHz
Durability: 500 cycles
Temperature Range: -55°C~+165°C

Material/Finishing

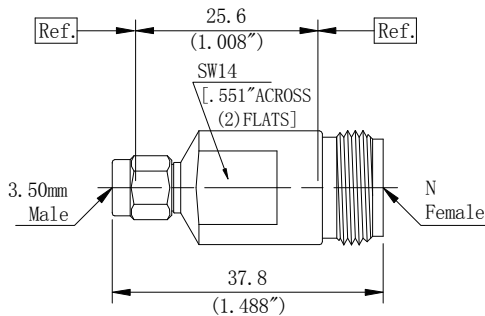
Housing: Stainless Steel SU303	Polished/Passivated
Center contact: Beryllium Copper	Gold plated(MIL-G-45204)
Insulators: PEI	
N Interfaces PER MIL-STD-348A	3.5mm Interfaces PER IEC-60169



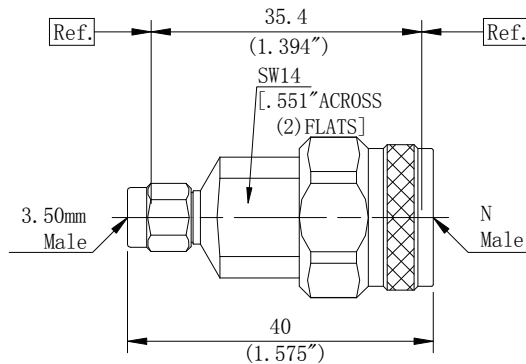
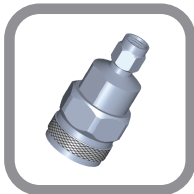
Description	N (f)to 3.5mm (f)
PN	Z343500Z01
VSWR	DC-18GHz ... 1.15:1 (max)



Description	N (m)to 3.5mm (f)
PN	Z343510Z01
VSWR	DC-18GHz ... 1.15:1 (max)



Description	N (f)to 3.5mm (m)
PN	Z343501Z01
VSWR	DC-18GHz ... 1.15:1 (max)



Description	N (m)to 3.5mm (m)
PN	Z343511Z01
VSWR	DC-18GHz ... 1.15:1 (max)