



N-2.92mm adaptors(DC~18GHz)

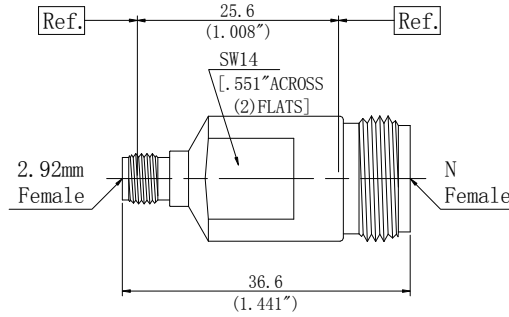
Specifications

Impedance: 50Ω
Frequency: DC-18GHz
Durability: 500 cycles
Temperature Range: -55°C~+165°C

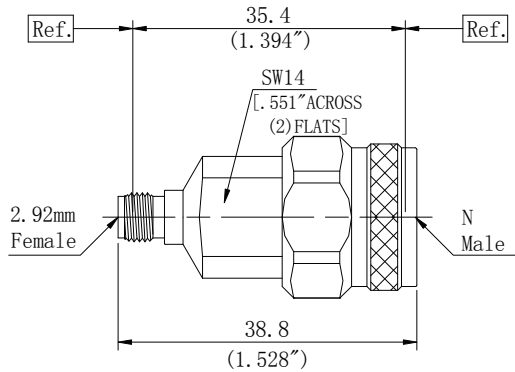
Material/Finishing

Housing: Stainless Steel SU303	Polished/Passivated
Center contact: Beryllium Copper	Gold plated(MIL-G-45204)
Insulators: PEI	

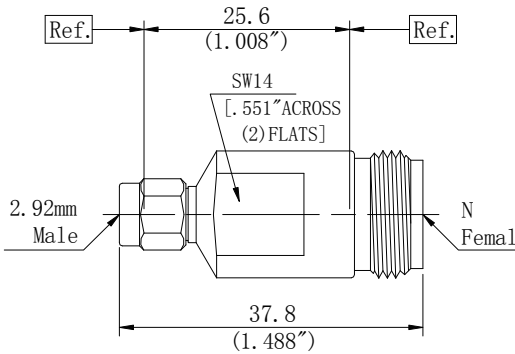
N/2.92mm Interfaces PER MIL-STD-348A



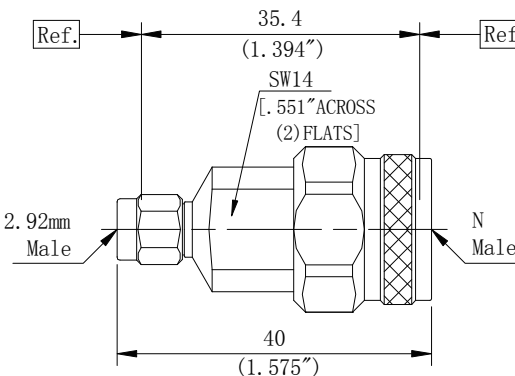
Description	N (f)to 2.92mm (f)
PN	Z343600Z01
VSWR	DC-18GHz ...1.15:1 (max)



Description	N (m)to 2.92mm (f)
PN	Z343610Z01
VSWR	DC-18GHz ...1.15:1 (max)



Description	N (f)to 2.92mm (m)
PN	Z343601Z01
VSWR	DC-18GHz ...1.15:1 (max)



Description	N (m)to 2.92mm (m)
PN	Z343611Z01
VSWR	DC-18GHz ...1.15:1 (max)