

1 2 3 4 5 6

A

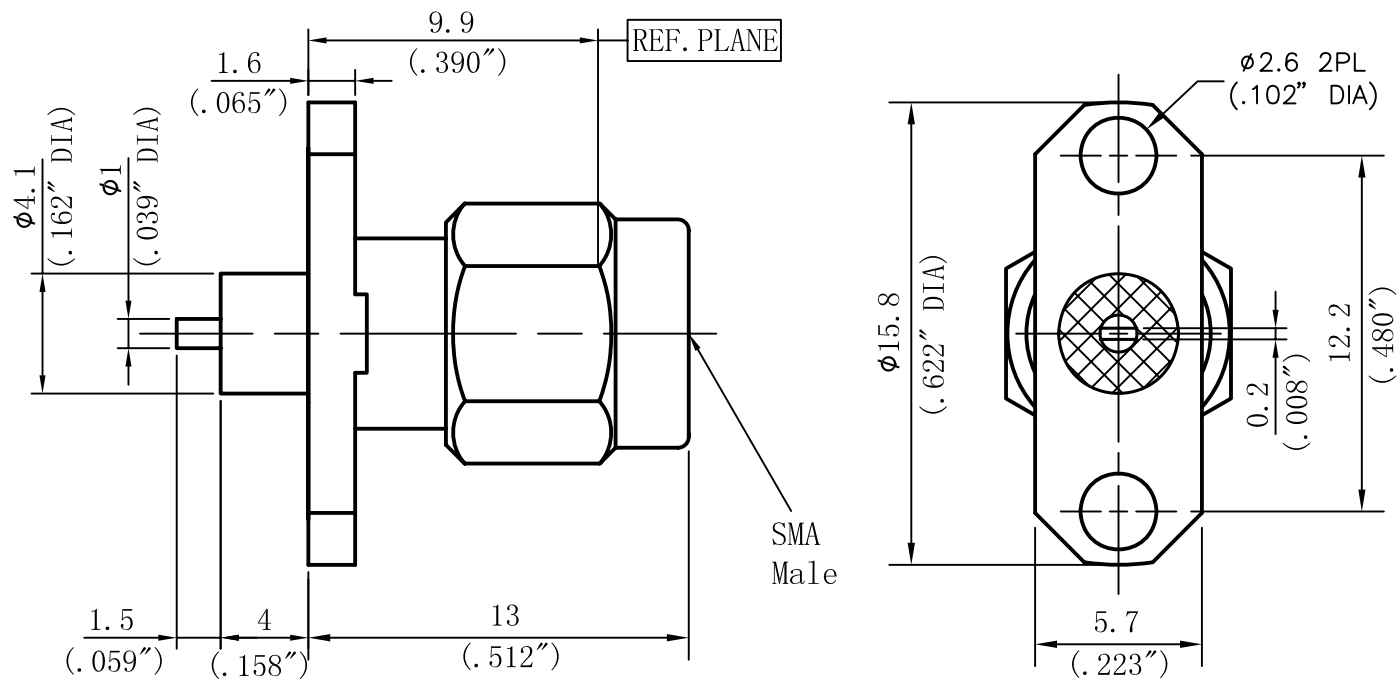
B

C

A

B

C



Performance Features:

Nominal Impedance: 50Ω  
Frequency Range: DC-27GHz

Materials/Finishes:

Housing: SU303F  
Polished & Passivated  
Center Contact: Beryllium Copper  
Gold Plated  
Insulators: PTFE&PEI

**M** MicrowaveTown Company, LLC  
1283 E. Route 66 Ave.  
Glendora, CA 91741  
Tel: (626)241-9635  
Fax: (626)698-1638  
www.microwavetown.com

DIRECTION OF VIEW



UNIT

mm

TITLE

SMA Connector

PROPRIETARY INFORMATION: THE INFORMATION IN THIS DRAWING IS PROPRIETARY AND SHALL NOT BE USED OR DISCLOSED WITHOUT PRIOR WRITTEN PERMISSION FROM MICROWAVETOWN

DRAWN Shaoqing Du

CHECKED Haimin Zhang

APPR. Gang Cao

DWG NO.

D551P0713F04C

UNLESS OTHERWISE SPECIFIED:  
1. REMOVE ALL BURRS, BREAK ALL CORNERS, SHARP EDGES 0.05 R MAX  
2. LINEARITY TOLERANCES: ±0.1; ANGLE TOLERANCES: ±1°  
3. DIAMETERS ON COMMON CENTERS TO BE CONCENTRIC WITHIN 0.1  
4. ALL DIMENSIONS ARE AFTER PLATING, SURFACE FINISHED

OUTLINE DRAWING

LTR	DESCRIPTION	DATE	APPR.

DO NOT SCALE DRAWING

SIZE A4\_h

SCALE4: 1

REV. V2.0

SHEET1/1

1

2

5

6