

1 2 3 4 5 6

A

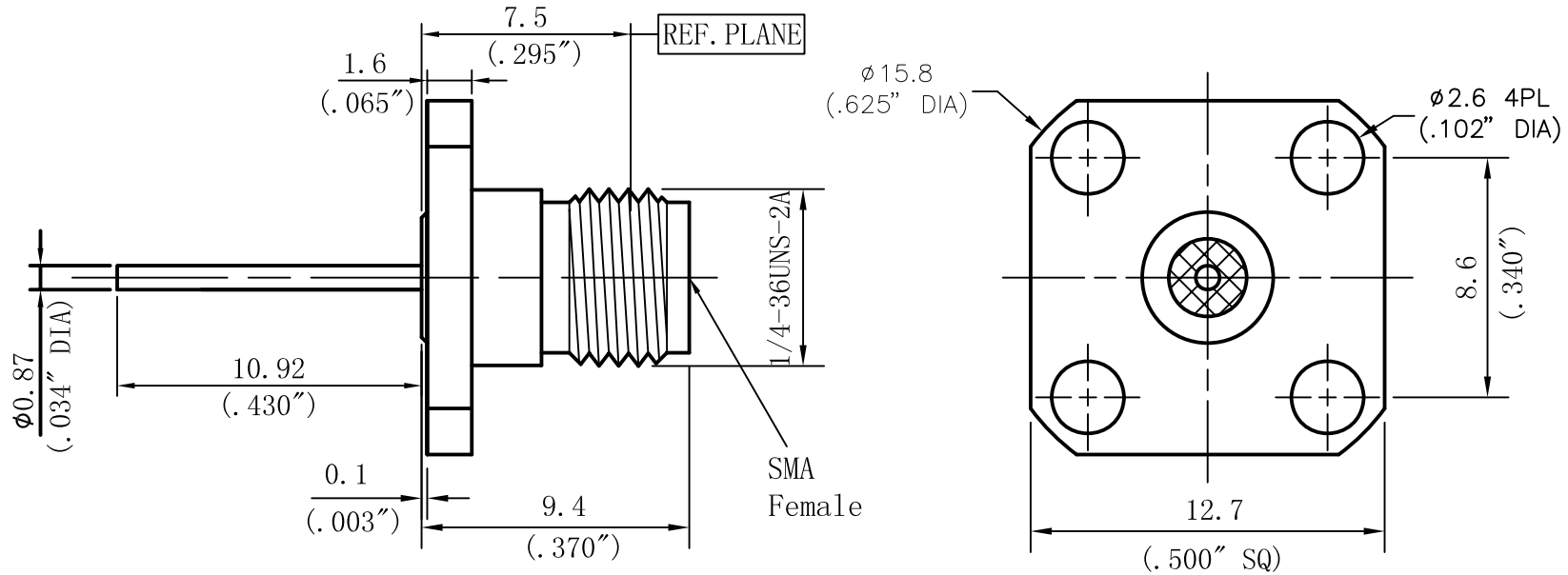
A

B

B

C

C



Performance Features:

Nominal Impedance: 50Ω
Frequency Range: DC-27GHz

Materials/Finishes:

Housing: SU303F
Passivated
Center Contact: Beryllium Copper
Gold Plated
Insulators: PEI&PTFE

M MicrowaveTown Company, LLC
1283 E. Route 66 Ave.
Glendora, CA 91741
Tel: (626)241-9635
Fax: (626)698-1638
www.microwavetown.com

DIRECTION OF VIEW

UNIT
mm

TITLE
SMA Connector

PROPRIETARY INFORMATION: THE INFORMATION IN THIS DRAWING IS PROPRIETARY AND SHALL NOT BE USED OR DISCLOSED WITHOUT PRIOR WRITTEN PERMISSION FROM MICROWAVETOWN

DRAWN Shaoqing Du
CHECKED Haimin Zhang
APPR. Gang Cao

DWG NO.
D550D34F01-430

UNLESS OTHERWISE SPECIFIED:
1. REMOVE ALL BURRS, BREAK ALL CORNERS, SHARP EDGES 0.05 R MAX
2. LINEARITY TOLERANCES: ±0.1; ANGLE TOLERANCES: ±1°
3. DIAMETERS ON COMMON CENTERS TO BE CONCENTRIC WITHIN 0.1
4. ALL DIMENSIONS ARE AFTER PLATING, SURFACE FINISHED

OUTLINE DRAWING

LTR	DESCRIPTION	DATE	APPR.	DO NOT SCALE DRAWING	SIZE A4_h	SCALE 4: 1	REV. V2.0	SHEET 1/1
-----	-------------	------	-------	----------------------	-----------	------------	-----------	-----------

1 2 3 4 5 6