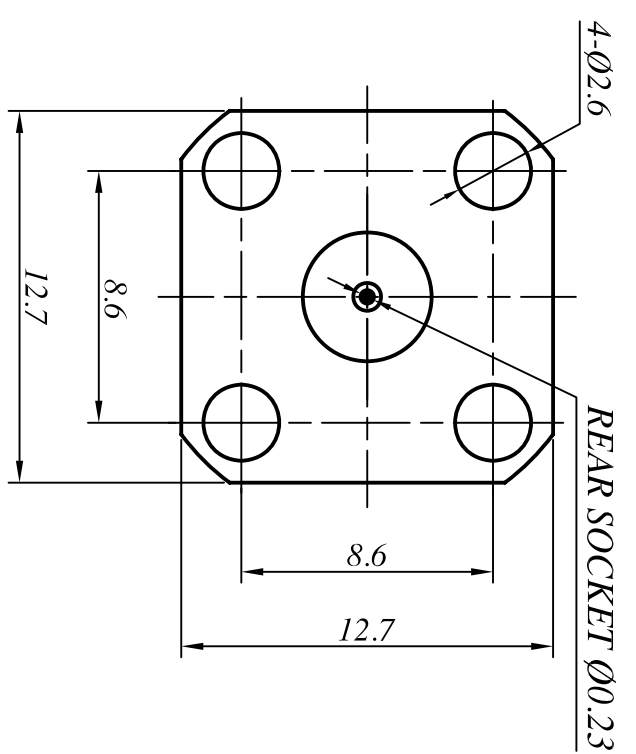
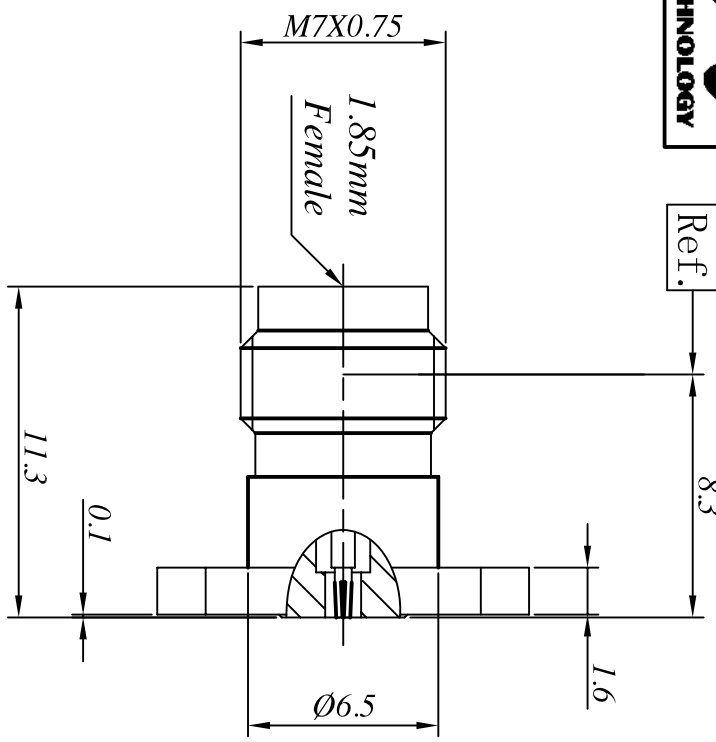




Ref.

8.3



UNIT:mm

Performance Features:

Nominal Impedance: 50Ω
 Frequency Range: DC-65GHz
 VSWR: DC-65GHz..... 1.25:1 (Max)

Materials/Finishes:

Housing: SU303
 Polished & Passivated
 Center Contact: Beryllium Copper
 Gold Plated
 Insulators:PEI

File Name	D380S09F01	FSCM Code	
Size	A4L		
Designed by	Zhang Jian		
Inspected by	Tan Hua		
Checked by	Cao Gang		
Approved by	Donald Wu		
Version	V1.0		
Contract Number			

Page	1	Scale	4:1
MICROWAVE TOWN			
1.85mm Connector			
Drawing Number	D380S09F01		