



2.92mm Connector Series

Performance Features

Nominal Impedance: 50Ω

Frequency Range: DC-40GHz

VSWR: DC-40GHz... 1.15:1 (Max)

Durability: 500 Cycles

Operating Temperature: -60°C~+165°C

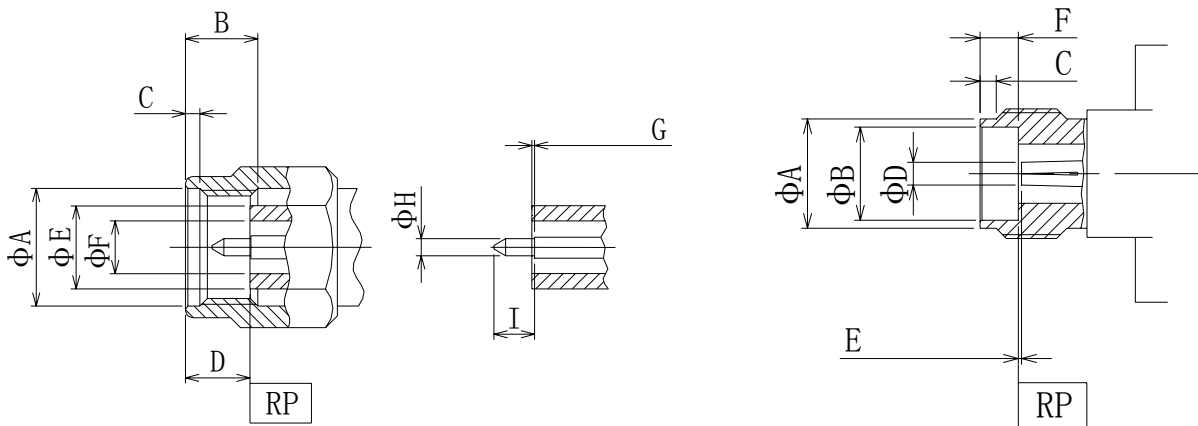
Materials/Finishes

Housing: Type 303 Stainless Steel - Polished & Passivated

Center Contact: Beryllium Copper Plated Gold

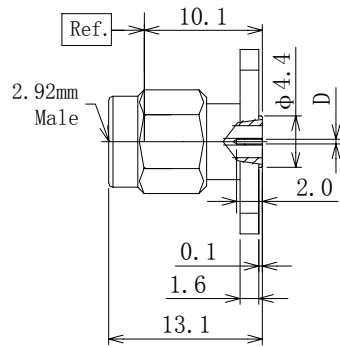
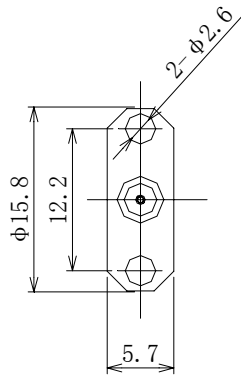
Insulators:PEI

Interfaces:PER MIL-STD-348A

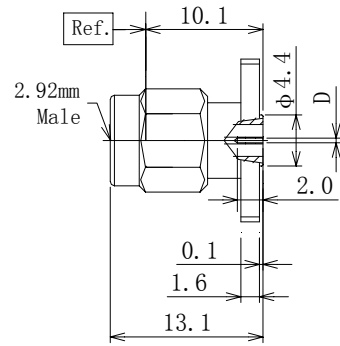
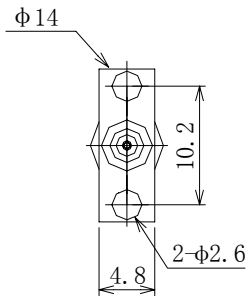


2.92mm Male (mm)		
LTR	MINIMUM	MAXIMUM
A	6.5	6.6
B	4	
C	0.8	
D	2.82	3.18
E	4.55	4.58
F	2.90	2.94
G	0	0.06
H	0.920	0.934
I	1.295	1.450

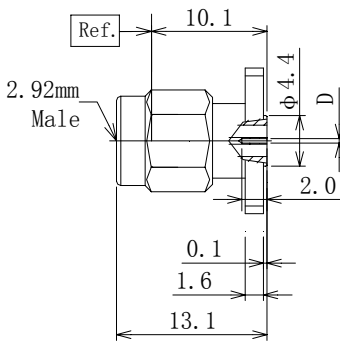
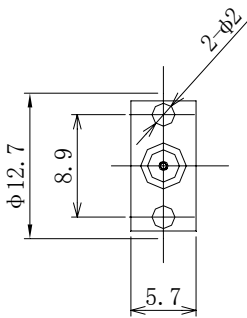
2.92mm Female (mm)		
LTR	MINIMUM	MAXIMUM
A	5.324	5.400
B	4.60	4.63
C	0.8	0.9
D	1.26	1.28
E	0	0.078
F	1.855	1.993



P/N	D
D361S12F04	0.012inch/0.30mm
D361S15F04	0.015inch/0.38mm
D361S18F04	0.018inch/0.46mm
D361S20F04	0.020inch/0.51mm



P/N	D
D361S12F05	0.012inch/0.30mm
D361S15F05	0.015inch/0.38mm
D361S18F05	0.018inch/0.46mm
D361S20F05	0.020inch/0.51mm



P/N	D
D361S12F06	0.012inch/0.30mm
D361S15F06	0.015inch/0.38mm
D361S18F06	0.018inch/0.46mm
D361S20F06	0.020inch/0.51mm