



2.92mm Connector Series

Performance Features

Nominal Impedance: 50Ω

Frequency Range: DC-40GHz

VSWR: DC-40GHz... 1.15:1 (Max)

Durability: 500 Cycles

Operating Temperature: -60°C~+165°C

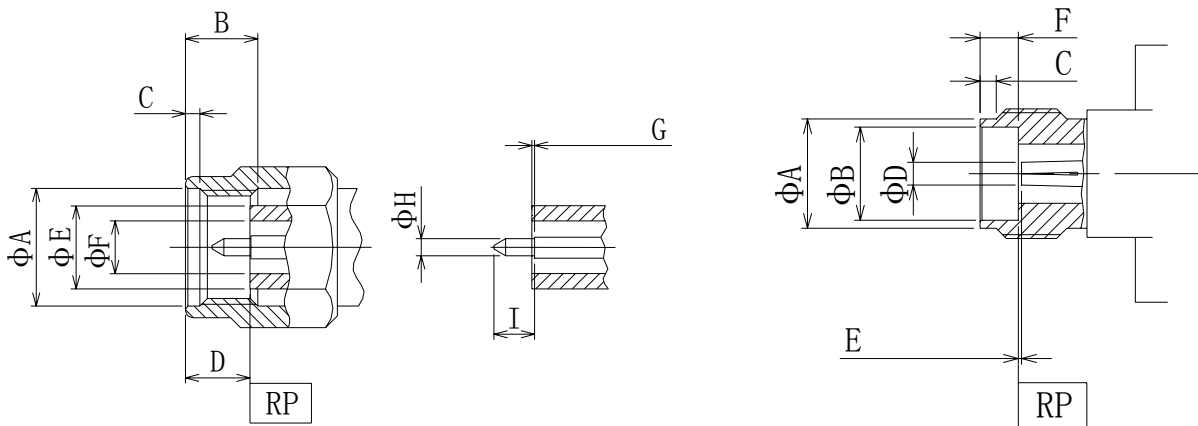
Materials/Finishes

Housing: Type 303 Stainless Steel - Polished & Passivated

Center Contact: Beryllium Copper Plated Gold

Insulators:PEI

Interfaces:PER MIL-STD-348A

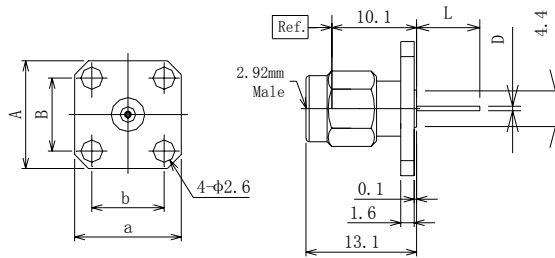


2.92mm Male (mm)		
LTR	MINIMUM	MAXIMUM
A	6.5	6.6
B	4	
C	0.8	
D	2.82	3.18
E	4.55	4.58
F	2.90	2.94
G	0	0.06
H	0.920	0.934
I	1.295	1.450

2.92mm Female (mm)		
LTR	MINIMUM	MAXIMUM
A	5.324	5.400
B	4.60	4.63
C	0.8	0.9
D	1.26	1.28
E	0	0.078
F	1.855	1.993

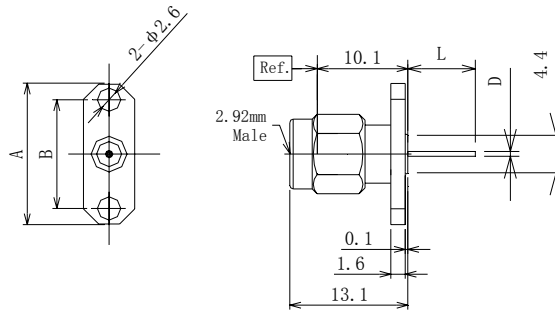


2.92mm Series Bulkhead Flange Connectors



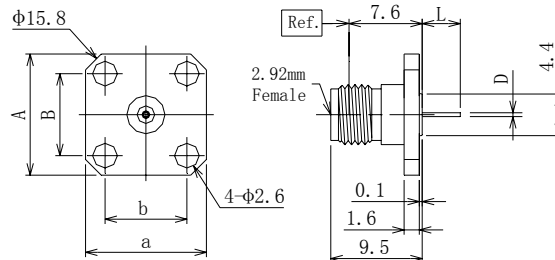
P/N	A	a	B	b
D361TLXF01	12.7	12.7	8.6	8.6
D361TLXF02	9.5	9.5	6.35	6.35
D361TLXF03	12.7	9.5	8.64	5.64

Notes: D/L Customized



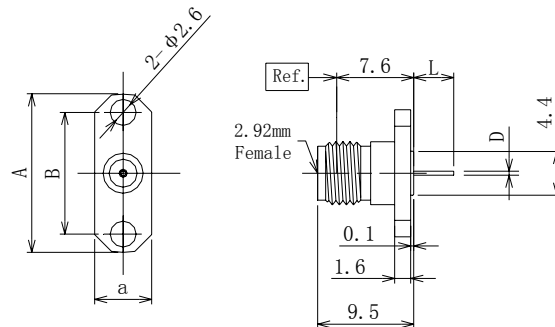
P/N	A	B
D361TLXF04	15.8	12.2
D361TLXF05	14	10.2
D361TLXF06	12.7	8.9

Notes: D/L Customized



P/N	A	a	B	b
D360TLXF01	12.7	12.7	8.6	8.6
D360TLXF02	9.5	9.5	6.35	6.35
D360TLXF03	12.7	9.5	8.64	5.64

Notes: D/L Customized



P/N	A	B
D360TLXF04	15.8	12.2
D360TLXF05	14	10.2
D360TLXF06	12.7	8.9

Notes: D/L Customized