



N Type Connector Series

Performance Features

Nominal Impedance: 50Ω

Frequency Range: DC-18GHz

VSWR: DC-18GHz.... 1.15:1 (Max)

Durability: 500 Cycles

Operating Temperature: -60°C~+165°C

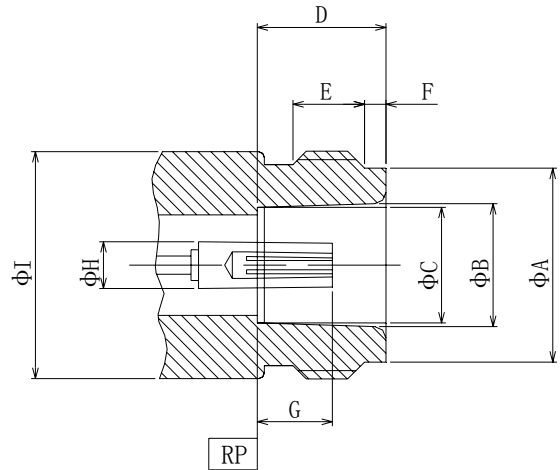
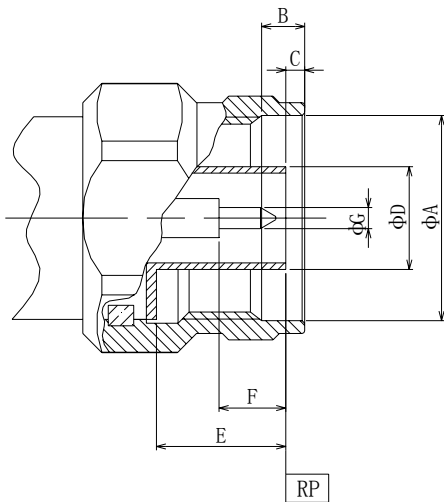
Materials/Finishes

Housing: Type 303 Stainless Steel - Polished & Passivated

Center Contact: Beryllium Copper Plated Gold

Insulators:PEI&PTFE

Interfaces: Per MIL-STD-348A

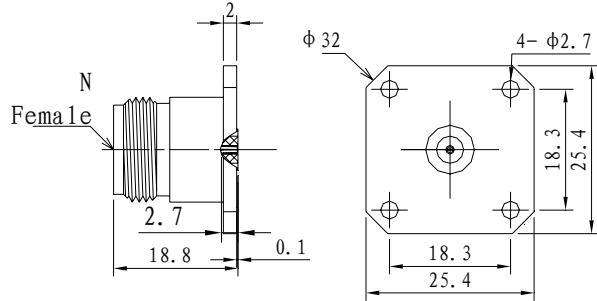


N Male (mm)		
LTR	MINIMUM	MAXIMUM
A	15	17
B	3.3	3.5
C	1.3	1.55
D	8	8.035
E	10.1	10.3
F	5.36	5.46
G	1.62	1.65

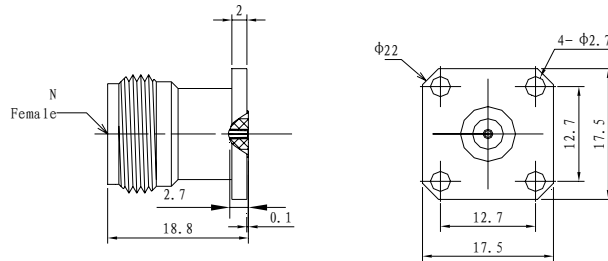
N Female (mm)		
LTR	MINIMUM	MAXIMUM
A	13.4	13.6
B	8.5	8.7
C	8.05	8.086
D	8.88	9.16
E	4.9	5.1
F	1.4	1.6
G	5.16	5.26
H	3.025	3.055
I	15.75	15.88



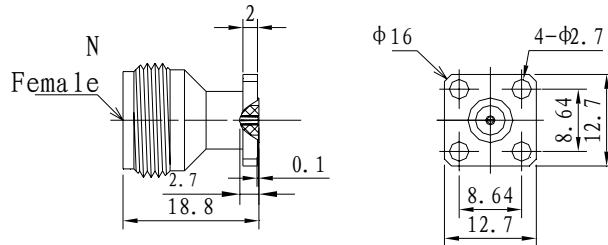
N Series Field Replaceable Flange Connectors



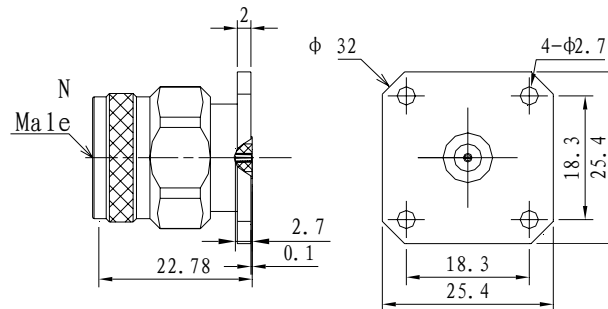
P/N	D
D340S18F01	0.018 inch/0.46mm
D340S20F01	0.020 inch/0.51mm
D340S36F01	0.036 inch/0.91mm



P/N	D
D340S18F02	0.018 inch/0.46mm
D340S20F02	0.020 inch/0.51mm
D340S36F02	0.036 inch/0.91mm



P/N	D
D340S18F03	0.018 inch/0.46mm
D340S20F03	0.020 inch/0.51mm
D340S36F03	0.036 inch/0.91mm



P/N	D
D341S18F01	0.018 inch/0.46mm
D341S20F01	0.020 inch/0.51mm
D341S36F01	0.036 inch/0.91mm