



### 3.5mm-1.85mm adapters(DC~33GHz)

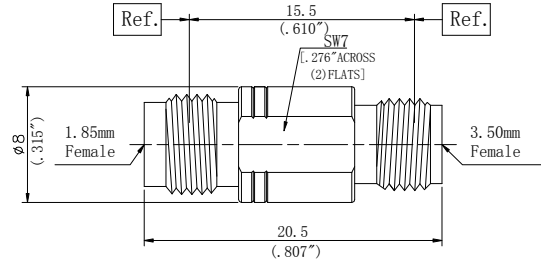
#### Specifications

Impedance: 50Ω
Frequency: DC-33GHz
Durability: 500 cycles
Temperature Range: -55°C~+165°C

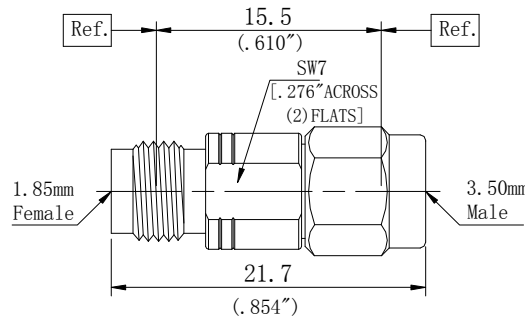
#### Material/Finishing

Housing: Stainless Steel SU303	Polished/Passivated
Center contact: Beryllium Copper	Gold plated(MIL-G-45204)
Insulators: PEI	

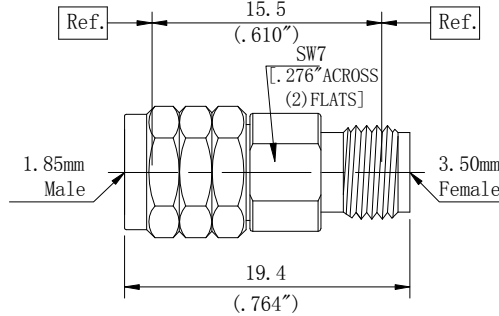
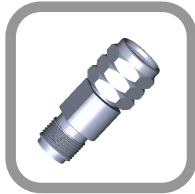
**3.5mm Interfaces PER IEC-60169      1.85mm Interfaces PER IEC-61169**



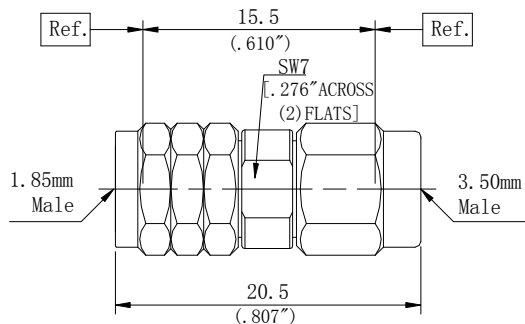
Description	3.5mm (f) to 1.85mm (f)
PN	Z353800Z01
VSWR	DC-33GHz . . .1.15:1 (max)



Description	3.5mm (m) to 1.85mm (f)
PN	Z353810Z01
VSWR	DC-33GHz . . .1.15:1 (max)



Description	3.5mm (f) to 1.85mm (m)
PN	Z353801Z01
VSWR	DC-33GHz . . .1.15:1 (max)



Description	3.5mm (m) to 1.85mm (m)
PN	Z353811Z01
VSWR	DC-33GHz . . .1.15:1 (max)