



## 1.85mm series connectors (DC~65GHz)

MicrowaveTown 1.85mm connectors are 50Ω precision connectors. They are designed with excellent characteristics over the full frequency range up to 65GHz. 1.85mm connectors are mechanically compatible with 2.4mm connectors.

### Specifications

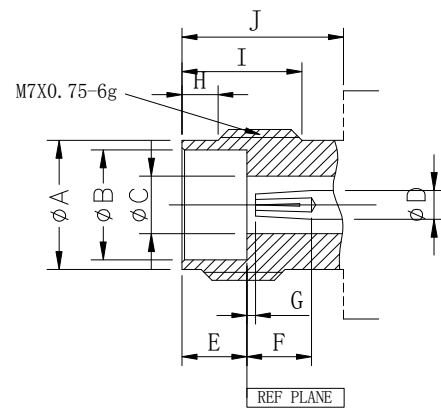
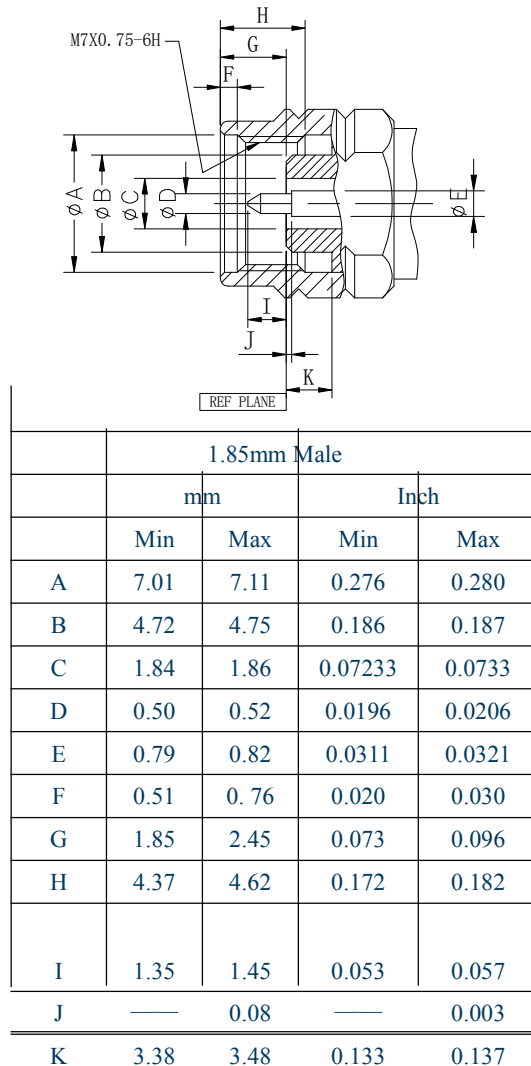
Impedance:	50Ω
Frequency:	DC-65GHz
VSWR:	
DC-65GHz....	1.25:1 (max)
Contact Resistance:	Center Contact ≤ 3.0mΩ Housing ≤ 2.5mΩ
Insulation Resistance:	≥ 3000MΩ
Dielectric Withstanding Voltage:	500V
Durability:	500 cycles
Temperature Range:	-55°C ~ +165°C

### Material/Finishing

Housing:	Stainless Steel SU303 Polished/Passivated
Center Contact:	Beryllium Copper Gold plated (MIL-G-45204)
Insulators:	PEI

### Interfaces: PER IEC-61169

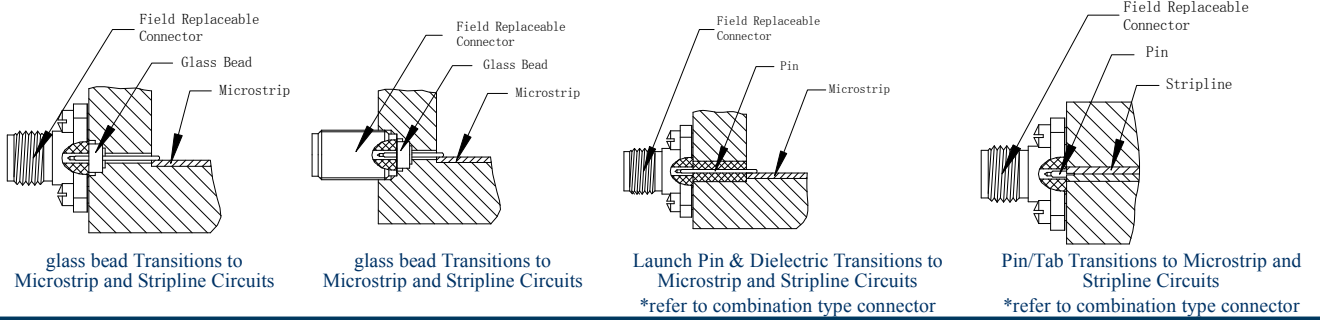
## Interface Dimensions



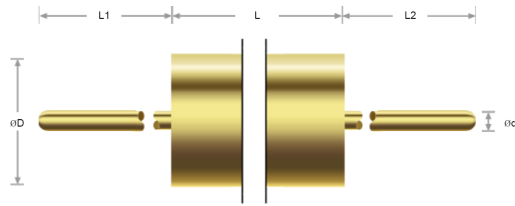


◇ 1.85mm Replaceable connectors

➤ Product Application



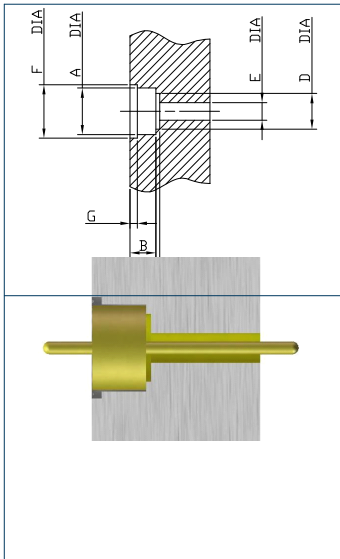
➤ Glass Bead Commonly Used Size



Commonly used size (recommend)		
d	0.23mm 0.009"	0.30mm 0.012"
D	1.73mm 0.068"	1.93mm 0.076"
L	1.40mm 0.055"	1.40mm 0.055"
L1	A variety of sizes available	
L2	A variety of sizes available	

\*Note: both ends of L1\L2 can insert into connector, depth less than 2mm

➤ Glass Bead Installation Dimension (FYI)



Pin diameter	0.23mm 0.009"	0.30mm 0.012"
A	Glass bead dimension D&L	
B		
C	0.15-0.20mm 0.006-0.008"	0.06-0.09mm 0.0025-0.0035"
D	0.77-0.82mm 0.0302-0.0322"	1.65-1.70mm 0.065-0.067"
E	This is 50 ohms transmission line, In accordance with pin diameter conversion, E=pin diameter*2.3	
F	Solder capture slot, common dimension is F=A+1mm	
G	Solder capture slot, common dimension is 0.5mm	

\*Note: C/D structure is optional if processing precision cannot guarantee



			<table border="1"> <thead> <tr> <th>PN</th> <th>Diameter</th> </tr> </thead> <tbody> <tr> <td>D380S09F01</td> <td>0.23mm/0.009 "</td> </tr> <tr> <td>D380S12F01</td> <td>0.30mm/0.012 "</td> </tr> </tbody> </table>	PN	Diameter	D380S09F01	0.23mm/0.009 "	D380S12F01	0.30mm/0.012 "
PN	Diameter								
D380S09F01	0.23mm/0.009 "								
D380S12F01	0.30mm/0.012 "								
			<table border="1"> <thead> <tr> <th>PN</th> <th>Diameter</th> </tr> </thead> <tbody> <tr> <td>D380S09F04</td> <td>0.23mm/0.009 "</td> </tr> <tr> <td>D380S12F04</td> <td>0.30mm/0.012 "</td> </tr> </tbody> </table>	PN	Diameter	D380S09F04	0.23mm/0.009 "	D380S12F04	0.30mm/0.012 "
PN	Diameter								
D380S09F04	0.23mm/0.009 "								
D380S12F04	0.30mm/0.012 "								
			<table border="1"> <thead> <tr> <th>PN</th> <th>Diameter</th> </tr> </thead> <tbody> <tr> <td>D380S09F05</td> <td>0.23mm/0.009 "</td> </tr> <tr> <td>D380S12F05</td> <td>0.30mm/0.012 "</td> </tr> </tbody> </table>	PN	Diameter	D380S09F05	0.23mm/0.009 "	D380S12F05	0.30mm/0.012 "
PN	Diameter								
D380S09F05	0.23mm/0.009 "								
D380S12F05	0.30mm/0.012 "								
			<table border="1"> <thead> <tr> <th>PN</th> <th>Diameter</th> </tr> </thead> <tbody> <tr> <td>D380S09Y01</td> <td>0.23mm/0.009 "</td> </tr> <tr> <td>D380S12Y01</td> <td>0.30mm/0.012 "</td> </tr> </tbody> </table>	PN	Diameter	D380S09Y01	0.23mm/0.009 "	D380S12Y01	0.30mm/0.012 "
PN	Diameter								
D380S09Y01	0.23mm/0.009 "								
D380S12Y01	0.30mm/0.012 "								
			<table border="1"> <thead> <tr> <th>PN</th> <th>Diameter</th> </tr> </thead> <tbody> <tr> <td>D380S09Y02</td> <td>0.23mm/0.009 "</td> </tr> <tr> <td>D380S12Y02</td> <td>0.30mm/0.012 "</td> </tr> </tbody> </table>	PN	Diameter	D380S09Y02	0.23mm/0.009 "	D380S12Y02	0.30mm/0.012 "
PN	Diameter								
D380S09Y02	0.23mm/0.009 "								
D380S12Y02	0.30mm/0.012 "								
			<table border="1"> <thead> <tr> <th>PN</th> <th>Diameter</th> </tr> </thead> <tbody> <tr> <td>D381S09F01</td> <td>0.23mm/0.009 "</td> </tr> <tr> <td>D381S12F01</td> <td>0.30mm/0.012 "</td> </tr> </tbody> </table>	PN	Diameter	D381S09F01	0.23mm/0.009 "	D381S12F01	0.30mm/0.012 "
PN	Diameter								
D381S09F01	0.23mm/0.009 "								
D381S12F01	0.30mm/0.012 "								



# 1.85mm Connectors

	<p>10.8 (.425") REF. PLANE 1.6 (.065") 0.1 (.003") 12.7 (.500") 1.85mm Male</p>	<p>SOCKET TO ACCPET <math>\phi</math>D PIN 2(.079") MAX DEPTH <math>\phi</math>2.6 2PL (.102" DIA) <math>\phi</math>15.8 (.625" DIA) 12.2 (.480") 5.7 (.223")</p>	<table border="1"> <thead> <tr> <th>PN</th> <th>Diameter</th> </tr> </thead> <tbody> <tr> <td>D381S09F04</td> <td>0.23mm/0.009 "</td> </tr> <tr> <td>D381S12F04</td> <td>0.30mm/0.012 "</td> </tr> </tbody> </table>	PN	Diameter	D381S09F04	0.23mm/0.009 "	D381S12F04	0.30mm/0.012 "
PN	Diameter								
D381S09F04	0.23mm/0.009 "								
D381S12F04	0.30mm/0.012 "								
	<p>10.8 (.425") REF. PLANE 1.6 (.065") 0.1 (.003") 12.7 (.500") 1.85mm Male</p>	<p>SOCKET TO ACCPET <math>\phi</math>D PIN 2(.079") MAX DEPTH <math>\phi</math>2.6 2PL (.102" DIA) <math>\phi</math>14 (.550" DIA) 10.2 (.400") 4.8 (.190")</p>	<table border="1"> <thead> <tr> <th>PN</th> <th>Diameter</th> </tr> </thead> <tbody> <tr> <td>D381S09F05</td> <td>0.23mm/0.009 "</td> </tr> <tr> <td>D381S12F05</td> <td>0.30mm/0.012 "</td> </tr> </tbody> </table>	PN	Diameter	D381S09F05	0.23mm/0.009 "	D381S12F05	0.30mm/0.012 "
PN	Diameter								
D381S09F05	0.23mm/0.009 "								
D381S12F05	0.30mm/0.012 "								